

Indicator

K14-
040.210052

Distribution by
DigiKey

DigiKey



<https://digikey.eao.com/p/K14-040.210052>

Your product:



K14-040.210052 Indicator

FRONT

Front dimension: Ø 35 mm

Front form: Round

MOUNTING

Mounting cut-out: Ø 30.5 mm

Mounting type: Panel mounting

OPERATING-/INDICATION PART

Lens colour: Red

Lens material: Plastic

Lens illumination: Illuminated

Lens shape: Raised

Lens optics: transparent

Illumination colour: Red

ELECTRICAL CHARACTERISTICS

Switching voltage and switching current:
250 VAC, 5 A (ohmic)
250 VAC, 3 A (Soldering terminal)
250 VAC, 2 A (inductive, $\cos(\phi) = 0.7$)
220 VDC, 0.1 A (inductive, L:R = 30 ms)
110 VDC, 0.2 A (inductive, L:R = 30 ms)
60 VDC, 0.7 A (inductive, L:R = 30 ms)
24 VDC, 2 A (inductive, L:R = 30 ms)

Operating voltage: 28 V AC/DC

Operation current: 2.5/5 mA ± 15 %

Rated Operational Voltage Ue: 250 VAC/DC according to EN IEC 61058-1

| | |
|--|--|
| Switching rating: | 5 A |
| Electrical lifetime: | 50 000 cycles of operation |
| Electric strength: | 3000 VAC, 50 Hz, 1 min. between all terminals and earth, according to EN/IEC 61058-1 |
| Protection class: | II |
| Standards: | According to EN/IEC 61058-1 |
| Thermal current I_{th}: | 5 A |

MECHANICAL CHARACTERISTIC

| | |
|---------------------------|--------------------------------|
| Terminal: | Plug-in terminal, 2.8 x 0.5 mm |
| Tightening torque: | Fixing nut max. 0.25 Nm |
| Weight: | 0.031 kg |

AMBIENT CONDITION

| | |
|-------------------------------|---|
| IP front protection: | IP67, according to DIN EN 60529 |
| Operating temperature: | - 25 °C ... + 55 °C, mounted as a block, make sure the heat can escape freely |
| Storage temperature: | - 40 °C ... + 85 °C |
| Shock resistance: | Max. 150 m / s ² , pulse width 11 ms, 3-axis, (semi-sinusoidal as per EN IEC 60068-2-27) |
| Vibration resistance: | Max. 100 m / s ² from 10 Hz ... 500 Hz, (sinusoidal EN IEC 60068-2-6) |
| Climate resistance: | Standard condition, as per DIN EN 60068-2-78 Standard cyclic, as per DIN IEC 60068-2-30 |

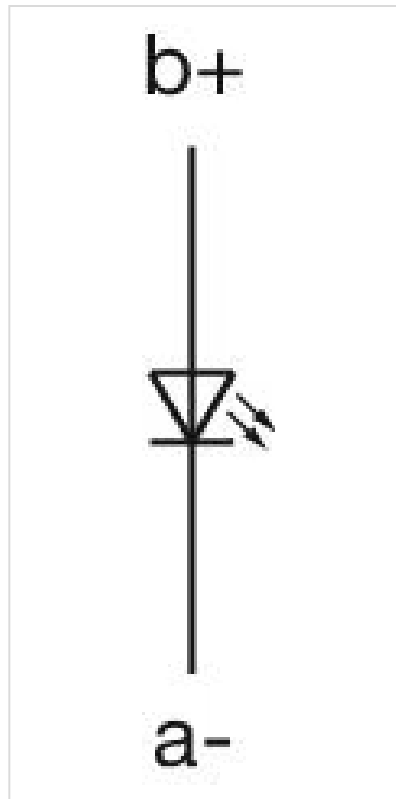
CERTIFICATE

| | |
|----------------------|--|
| Approbations: | CB (IEC 61058-1), CQC, CSA, DNV, ENEC (EN 61058-1), UL |
| Conformities: | CE, UKCA, 2011 / 65 / EC (RoHS), 2014 / 35 / EU (LVD) |
| REACH: | REACH compliant |
| RoHS: | RoHS compliant |

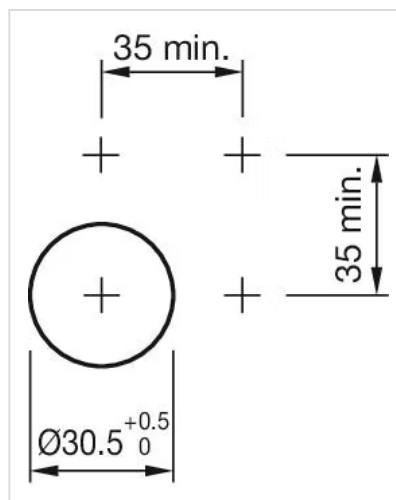
OTHER

| | |
|---------------------------|---|
| Short Description: | Indicator, 5 A, 28 V AC/DC, Plug-in terminal, 2.8 x 0.5 mm, Round, Red, Red |
| Housing colour: | Black |
| Housing material: | Plastic |

Wiring diagrams:



Mounting cut-outs:



Dimension drawings:

