

# Illuminated push button

K14-271.212042

Distribution by  
DigiKey

**DigiKey**



<https://digikey.eao.com/component/K14-271.212...>

Your product:

---



## K14-271.212042 Illuminated push button

*Loading ...*

### FRONT

**Front dimension:** Ø 35 mm

**Front form:** Round

### MOUNTING

**Mounting cut-out:** Ø 30.5 mm

**Mounting type:** Panel mounting

### OPERATING-/INDICATION PART

**Lens colour:** Colourless

**Lens material:** Plastic

**Lens illumination:** Illuminated

**Lens shape:** Raised

**Lens optics:** transparent

**Illumination colour:** Colourless

### ELECTRICAL CHARACTERISTICS

**Switching voltage and switching current:**  
250 VAC, 5 A (ohmic)  
250 VAC, 3 A (Soldering terminal)  
250 VAC, 2 A (inductive,  $\cos(\phi) = 0.7$ )  
220 VDC, 0.1 A (inductive, L:R = 30 ms)  
110 VDC, 0.2 A (inductive, L:R = 30 ms)  
60 VDC, 0.7 A (inductive, L:R = 30 ms)  
24 VDC, 2 A (inductive, L:R = 30 ms)

**Contacts:** 1 NC / 1 NO

**Operating voltage:** 28 V AC/DC

**Operation current:** 2.5/5 mA  $\pm 15$  %

|                                      |  |
|--------------------------------------|--|
| <b>Rated Operational Voltage Ue:</b> | 250 VAC/DC according to EN IEC 61058-1   |
| <b>Switching rating:</b>             | 250 V AC @ 3 A   |
| <b>Electrical lifetime:</b>          | 50 000 cycles of operation   |
| <b>Electric strength:</b>            | 3000 VAC, 50 Hz, 1 min. between all terminals and earth, according to EN/IEC 61058-1 |
| <b>Protection class:</b>             | II   |
| <b>Standards:</b>                    | According to EN/IEC 61058-1  |
| <b>Thermal current Ith:</b>          | 3 A  |

### MECHANICAL CHARACTERISTICS

|                             |  |
|-----------------------------|--|
| <b>Terminal:</b>            | Plug-in terminal, 2.8 x 0.5 mm   |
| <b>Contact material:</b>    | Gold-plated silver   |
| <b>Switching action:</b>    | Maintained   |
| <b>Switching system:</b>    | Snap-action switching element  |
| <b>Switching system:</b>    | Self-cleaning, double-break snap action switching system (contact opening width 2 mm x 1.5 mm).                                      |
| <b>Mechanical lifetime:</b> | 1 Mil. cycles of operation   |
| <b>Operating force:</b>     | 5 N ... 8 N  |
| <b>Operating Travel:</b>    | 3 mm   |
| <b>Tightening torque:</b>   | Fixing nut max. 0.25 Nm  |
| <b>Wire cross section:</b>  | Max. wire diameter 2 wires of 1 mm<br>Max. wire cross-section of stranded cable 2 of 0.75 mm <sup>2</sup> or 1 x 1.0 mm <sup>2</sup> |
| <b>Weight:</b>              | 0.031 kg   |

### AMBIENT CONDITION

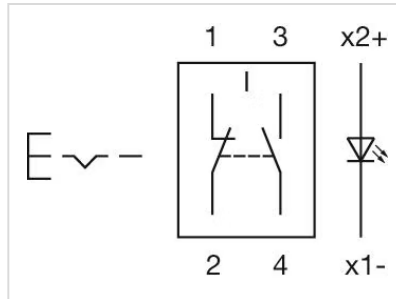
|                               |   |
|-------------------------------|---|
| <b>IP front protection:</b>   | IP67, according to DIN EN 60529   |
| <b>Operating temperature:</b> | - 25 °C ... + 55 °C, mounted as a block, make sure the heat can escape freely                       |
| <b>Storage temperature:</b>   | - 40 °C ... + 85 °C   |
| <b>Shock resistance:</b>      | Max. 150 m / s <sup>2</sup> , pulse width 11 ms, 3-axis, (semi-sinusoidal as per EN IEC 60068-2-27) |
| <b>Vibration resistance:</b>  | Max. 100 m / s <sup>2</sup> from 10 Hz ... 500 Hz, (sinusoidal EN IEC 60068-2-6)                    |
| <b>Climate resistance:</b>    | Standard condition, as per DIN EN 60068-2-78<br>Standard cyclic, as per DIN IEC 60068-2-30          |

**CERTIFICATE**

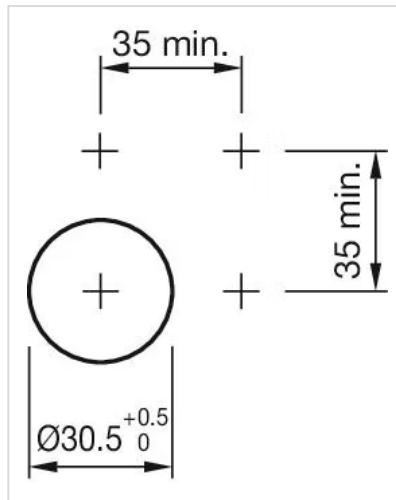
**Approbations:** CB (IEC 61058-1), CQC, CSA, DNV, EAC, ENEC (EN 61058-1), UL, VDE  
**Conformities:** CE, UKCA, 2011 / 65 / EC (RoHS), 2014 / 35 / EU (LVD)  
**REACH:** REACH compliant  
**RoHS:** RoHS compliant

**OTHER**

**Short Description:** Illuminated push button, Maintained, 250 V AC @ 3 A, 28 V AC/DC, 1 NC / 1 NO, Plug-in terminal, 2.8 x 0.5 mm, Round, Colourless, Colourless  
**Housing colour:** Black  
**Housing material:** Plastic  
**Wiring diagrams:**



**Mounting cut-outs:**



**Dimension drawings:**

