

# Pushbutton

K14-  
271.112110

Distribution by  
DigiKey

**DigiKey**



<https://digkey.eao.com/p/K14-271.112110>

Your product:

---



## K14-271.112110 Pushbutton

### FRONT

**Front dimension:** Ø 29 mm

### MOUNTING

**Mounting cut-out:** Ø 22.3 mm

### OPERATING-/INDICATION PART

**Lens material:** Aluminium

**Lens colour:** Red

**Lens shape:** flush

**Lens optics:** opaque

### ELECTRICAL CHARACTERISTICS

<b>Switching voltage and switching current:</b>	250 VAC, 5 A (ohmic) 250 VAC, 2 A (inductive, $\cos(\phi) = 0.7$ ) 220 VDC, 0.1 A (inductive, L:R = 30 ms) 110 VDC, 0.2 A (inductive, L:R = 30 ms) 60 VDC, 0.7 A (inductive, L:R = 30 ms) 24 VDC, 2 A (inductive, L:R = 30 ms)
<b>Rated Operational Voltage Ue:</b>	250 VAC/DC according to EN IEC 61058-1
<b>Contacts:</b>	1 NC / 1 NO
<b>Protection class:</b>	II
<b>Standards:</b>	According to EN/IEC 61058-1
<b>Thermal current Ith:</b>	5 A
<b>Electrical lifetime:</b>	50 000 cycles of operation
<b>Electric strength:</b>	3000 VAC, 50 Hz, 1 min. between all terminals and earth, according to EN/IEC 61058-1

### MECHANICAL CHARACTERISTIC

<b>Operating Travel:</b>	3 mm
<b>Weight:</b>	0.019 kg
<b>Tightening torque:</b>	Fixing nut max. 0.25 Nm
<b>Terminal:</b>	Plug-in terminal, 2.8 x 0.5 mm
<b>Wire cross section:</b>	Max. wire cross-section 2 wires with 1 mm Max. wire cross-section of stranded cable 2 of 0.75 mm <sup>2</sup> or 1 x 1.0 mm <sup>2</sup>
<b>Mechanical lifetime:</b>	1 Mio. cycles of operation
<b>Switching system:</b>	Self-cleaning, double-break snap action switching system (contact opening width 2 mm x 1.5 mm).
<b>Operating force:</b>	5 N ... 8 N
<b>Switching action:</b>	Maintained
<b>Switching system:</b>	Snap-action switching element
<b>Contact material:</b>	Gold-plated silver

### AMBIENT CONDITION

<b>Operating temperature:</b>	- 25 °C ... + 55 °C
<b>IP front protection:</b>	IP67, according to DIN EN 60529
<b>Vibration resistance:</b>	Max. 100 m / s <sup>2</sup> from 10 Hz ... 500 Hz, (sinusoidal EN IEC 60068-2-6)
<b>Storage temperature:</b>	- 40 °C ... + 85 °C
<b>Shock resistance:</b>	Max. 150 m / s <sup>2</sup> , pulse width 11 ms, 3-axis, (semi-sinusoidal as per EN IEC 60068-2-27)

**Climate resistance:**

Standard condition, as per DIN EN 60068-2-78  
Standard cyclic, as per DIN IEC 60068-2-30

**CERTIFICATE**

**Approbations:**

CB (IEC 61058-1), CQC, CSA, DNV, ENEC (EN 61058-1), UL

**Conformities:**

CE, UKCA, 2011 / 65 / EC (RoHS), 2014 / 35 / EU (LVD)

**OTHER**

**Housing colour:**

Black

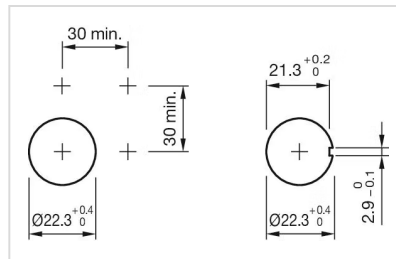
**Housing material:**

Plastic

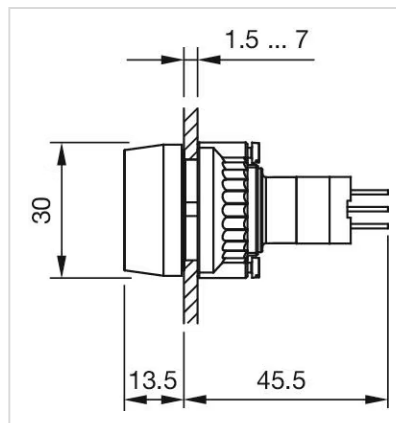
**Short Description:**

Pushbutton, Maintained, 250 V AC @ 5 A, 1 NC / 1 NO, Plug-in terminal, 2.8 x 0.5 mm, Red

**Mounting cut-outs:**



**Dimension drawings:**



**Wiring diagrams:**

