

Keylock switch 2 positions

K14-135.21200

Distribution by
DigiKey

DigiKey



<https://digikey.eao.com/p/K14-135.21200>

Your product:



K14-135.21200

Keylock switch 2 positions

FRONT

Front dimension:	Ø 35 mm
Front bezel material:	Aluminium
Front bezel colour:	Nature

MOUNTING

Mounting cut-out:	Ø 30.5 mm
--------------------------	-----------

ELECTRICAL CHARACTERISTICS

Electrostatic discharge (ESD):	15 kV
Switching voltage and switching current:	250 VAC, 5 A (ohmic) 250 VAC, 3 A (Soldering terminal) 250 VAC, 2 A (inductive, $\cos(\phi) = 0.7$) 220 VDC, 0.1 A (inductive, L:R = 30 ms) 110 VDC, 0.2 A (inductive, L:R = 30 ms) 60 VDC, 0.7 A (inductive, L:R = 30 ms) 24 VDC, 2 A (inductive, L:R = 30 ms)
Thermal current I_{th}:	3 A
Rated Operational Voltage U_e:	250 VAC/DC according to EN IEC 61058-1
Standards:	According to EN/IEC 61058-1
Electrical lifetime:	50 000 cycles of operation
Electric strength:	3000 VAC, 50 Hz, 1 min. between all terminals and earth, according to EN/IEC 61058-1
Contacts:	1 NC / 1 NO

MECHANICAL CHARACTERISTIC

Wire cross section:	Max. wire diameter 2 wires of 1 mm Max. wire cross-section of stranded cable 2 of 0.75 mm ² or 1 x 1.0 mm ²
----------------------------	--

Terminal:	Plug-in terminal, 2.8 x 0.5 mm
Switching system:	Snap-action switching element
Tightening torque:	Fixing nut max. 0.25 Nm
Weight:	0.044 kg
Operating Travel:	ca. 90°
Switching positions:	2 positions
Switching system:	Self-cleaning, double-break snap action switching system (contact opening width 2 mm x 1.5 mm).
Operating force:	5 N ... 8 N
Switching angle:	90° right
Contact material:	Gold-plated silver
Mechanical lifetime:	1 Mio. cycles of operation
Switching action:	Rest (a) - Maintained

AMBIENT CONDITION

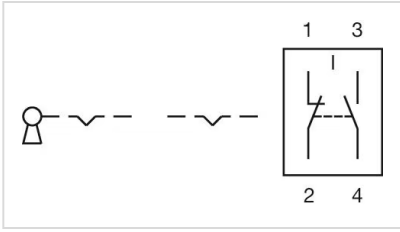
IP front protection:	IP65, according to DIN EN 60529
Operating temperature:	- 25 °C ... + 55 °C
Vibration resistance:	Max. 100 m / s ² from 10 Hz ... 500 Hz, (sinusoidal EN IEC 60068-2-6)
Climate resistance:	Standard condition, as per DIN EN 60068-2-78 Standard cyclic, as per DIN IEC 60068-2-30
Storage temperature:	- 40 °C ... + 85 °C
Shock resistance:	Max. 150 m / s ² , pulse width 11 ms, 3-axis, (semi-sinusoidal as per EN IEC 60068-2-27)

CERTIFICATE

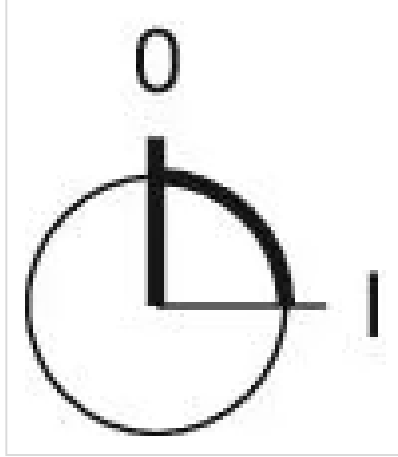
Conformities:	CE, UKCA, 2011 / 65 / EC (RoHS), 2014 / 35 / EU (LVD)
Approbations:	CB (IEC 61058-1), CQC, CSA, DNV, EAC, ENEC (EN 61058-1), UL, VDE

OTHER

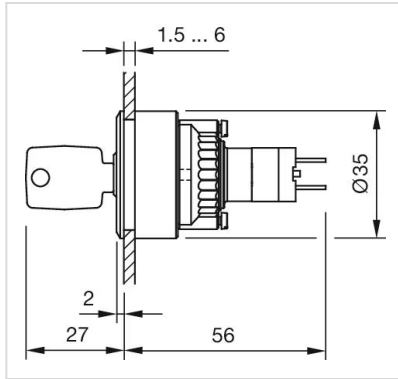
Hints:	Lock numbers 1001, lock type KABA
Housing material:	Plastic
Short Description:	Keylock switch 2 positions, Rest (a) - Maintained, 250 V AC @ 3 A, 1 NC / 1 NO, Plug-in terminal, 2.8 x 0.5 mm, Aluminium
Wiring diagrams:	



Switching positions:



Dimension drawings:



Mounting cut-outs:

