

# Pushbutton

K14-  
131.211140

Distribution by  
DigiKey

**DigiKey**



<https://digikey.eao.com/p/K14-131.211140>

Your product:

---



## K14-131.211140 Pushbutton

### FRONT

**Front dimension:** Ø 35 mm

### MOUNTING

**Mounting cut-out:** Ø 30.5 mm

### OPERATING-/INDICATION PART

**Lens shape:** flush

**Lens colour:** Green

**Lens material:** Aluminium

**Lens optics:** opaque

### ELECTRICAL CHARACTERISTICS

**Protection class:** II

**Switching voltage and switching current:**  
250 VAC, 5 A (ohmic)  
250 VAC, 3 A (Soldering terminal)  
250 VAC, 2 A (inductive,  $\cos(\phi) = 0.7$ )  
220 VDC, 0.1 A (inductive, L:R = 30 ms)  
110 VDC, 0.2 A (inductive, L:R = 30 ms)  
60 VDC, 0.7 A (inductive, L:R = 30 ms)  
24 VDC, 2 A (inductive, L:R = 30 ms)

**Rated Operational Voltage  $U_e$ :** 250 VAC/DC according to EN IEC 61058-1

**Electrical lifetime:** 50 000 cycles of operation

**Contacts:** 1 NC / 1 NO

**Standards:** According to EN/IEC 61058-1

**Thermal current  $I_{th}$ :** 3 A

**Electric strength:**

3000 VAC, 50 Hz, 1 min. between all terminals and earth, according to EN/IEC 61058-1

## MECHANICAL CHARACTERISTIC

<b>Tightening torque:</b>	Fixing nut max. 0.25 Nm
<b>Terminal:</b>	Plug-in terminal, 2.8 x 0.5 mm
<b>Wire cross section:</b>	Max. wire diameter 2 wires of 1 mm Max. wire cross-section of stranded cable 2 of 0.75 mm <sup>2</sup> or 1 x 1.0 mm <sup>2</sup>
<b>Switching action:</b>	Momentary
<b>Switching system:</b>	Snap-action switching element
<b>Switching system:</b>	Self-cleaning, double-break snap action switching system (contact opening width 2 mm x 1.5 mm).
<b>Contact material:</b>	Gold-plated silver
<b>Operating Travel:</b>	3 mm
<b>Mechanical lifetime:</b>	2 Mio. cycles of operation
<b>Weight:</b>	0.031 kg
<b>Operating force:</b>	3 N ... 6 N

## AMBIENT CONDITION

<b>Storage temperature:</b>	- 40 °C ... + 85 °C
<b>Vibration resistance:</b>	Max. 100 m / s <sup>2</sup> from 10 Hz ... 500 Hz, (sinusoidal EN IEC 60068-2-6)
<b>Climate resistance:</b>	Standard condition, as per DIN EN 60068-2-78 Standard cyclic, as per DIN IEC 60068-2-30
<b>IP front protection:</b>	IP67, according to DIN EN 60529
<b>Shock resistance:</b>	Max. 150 m / s <sup>2</sup> , pulse width 11 ms, 3-axis, (semi-sinusoidal as per EN IEC 60068-2-27)
<b>Operating temperature:</b>	- 25 °C ... + 55 °C

## CERTIFICATE

<b>Approbations:</b>	CB (IEC 61058-1), CQC, CSA, DNV, EAC, ENEC (EN 61058-1), UL, VDE
<b>Conformities:</b>	CE, UKCA, 2011 / 65 / EC (RoHS), 2014 / 35 / EU (LVD)

## OTHER

<b>Short Description:</b>	Pushbutton, Momentary, 250 V AC @ 5 A, 1 NC / 1 NO, Plug-in terminal, 2.8 x 0.5 mm, Green
---------------------------	-------------------------------------------------------------------------------------------

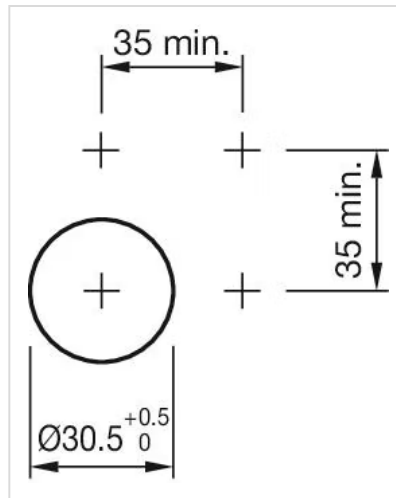
**Housing material:**

Plastic

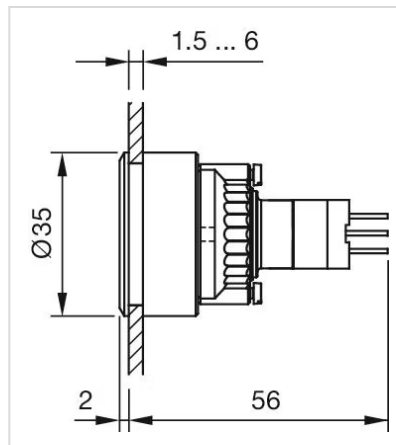
**Housing colour:**

Black

**Mounting cut-outs:**



**Dimension drawings:**



**Wiring diagrams:**

