

Illuminated pushbutton

K14-131.121102

Distribution by
DigiKey

DigiKey



<https://digikey.eao.com/p/K14-131.121102>

Your product:



K14-131.121102

Illuminated pushbutton

MOUNTING

Mounting cut-out: Ø 22.3 mm

OPERATING-/INDICATION PART

Illumination colour: Red

Lens material: Plastic

Lens colour: Red

Lens optics: transparent

Lens shape: flush

Lens illumination: illuminative

ELECTRICAL CHARACTERISTICS

Electrical lifetime: 50 000 cycles of operation

Switching voltage and switching current: 250 VAC, 5 A (ohmic)
250 VAC, 3 A (Soldering terminal)
250 VAC, 2 A (inductive, $\cos(\phi) = 0.7$)
220 VDC, 0.1 A (inductive, L:R = 30 ms)
110 VDC, 0.2 A (inductive, L:R = 30 ms)
60 VDC, 0.7 A (inductive, L:R = 30 ms)
24 VDC, 2 A (inductive, L:R = 30 ms)

Contacts: 1 NC / 1 NO

Standards: According to EN/IEC 61058-1

Operating voltage: 28 V AC/DC

Electric strength: 3000 VAC, 50 Hz, 1 min. between all terminals and earth, according to EN/IEC 61058-1

Operation current: 2,5/5 mA ± 15 %

Protection class: II

Thermal current I_{th}:	3 A
Rated Operational Voltage U_e:	250 VAC/DC according to EN IEC 61058-1

MECHANICAL CHARACTERISTIC

Switching action:	Momentary
Switching system:	Snap-action switching element
Tightening torque:	Fixing nut max. 0.25 Nm
Contact material:	Gold-plated silver
Terminal:	Soldering terminal
Wire cross section:	Max. wire diameter 2 wires à 1.2 mm Max. wire cross-section of stranded cable 1 x 1 mm ²
Weight:	0.021 kg
Mechanical lifetime:	2 Mio. cycles of operation
Operating Travel:	3 mm
Operating force:	3 N ... 6 N

AMBIENT CONDITION

IP front protection:	IP67, according to DIN EN 60529
Storage temperature:	- 40 °C ... + 85 °C
Shock resistance:	Max. 150 m / s ² , pulse width 11 ms, 3-axis, (semi-sinusoidal as per EN IEC 60068-2-27)
Vibration resistance:	Max. 100 m / s ² from 10 Hz ... 500 Hz, (sinusoidal EN IEC 60068-2-6)
Climate resistance:	Standard condition, as per DIN EN 60068-2-78 Standard cyclic, as per DIN IEC 60068-2-30
Operating temperature:	- 25 °C ... + 55 °C, mounted as a block, make sure the heat can escape freely

CERTIFICATE

Approbations:	CB (IEC 61058-1), CQC, CSA, DNV, EAC, ENEC (EN 61058-1), UL, VDE
Conformities:	CE, UKCA, 2011 / 65 / EC (RoHS), 2014 / 35 / EU (LVD)

OTHER

max. number of switching elements:	1
Short Description:	Illuminated pushbutton, Momentary, 250 V AC @ 5 A, 28 V AC/DC, 1 NC / 1 NO,

Soldering terminal, Red, Red

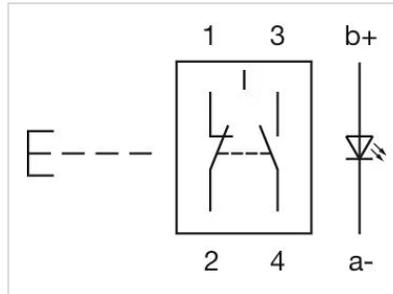
Housing colour:

Black

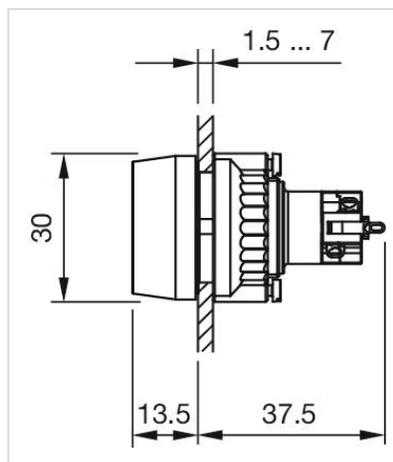
Housing material:

Plastic

Wiring diagrams:



Dimension drawings:



Mounting cut-outs:

