

# Illuminated pushbutton

K14-131.121091

Distribution by  
DigiKey

**DigiKey**



<https://digikey.eao.com/p/K14-131.121091>

Your product:

---



## K14-131.121091 Illuminated pushbutton

### MOUNTING

**Mounting cut-out:** Ø 22.3 mm

### OPERATING-/INDICATION PART

**Lens material:** Plastic

**Lens optics:** transparent

**Illumination colour:** White

**Lens shape:** flush

**Lens illumination:** illuminative

**Lens colour:** Colourless

### ELECTRICAL CHARACTERISTICS

**Switching voltage and switching current:** 250 VAC, 5 A (ohmic)  
250 VAC, 3 A (Soldering terminal)  
250 VAC, 2 A (inductive,  $\cos(\phi) = 0.7$ )  
220 VDC, 0.1 A (inductive, L:R = 30 ms)  
110 VDC, 0.2 A (inductive, L:R = 30 ms)  
60 VDC, 0.7 A (inductive, L:R = 30 ms)  
24 VDC, 2 A (inductive, L:R = 30 ms)

**Electric strength:** 3000 VAC, 50 Hz, 1 min. between all terminals and earth, according to EN/IEC 61058-1

**Contacts:** 1 NC / 1 NO

**Rated Operational Voltage  $U_e$ :** 250 VAC/DC according to EN IEC 61058-1

**Electrical lifetime:** 50 000 cycles of operation

**Operation current:** 2,5/5 mA  $\pm 15\%$

**Standards:** According to EN/IEC 61058-1

**Operating voltage:** 24 V AC/DC

**Thermal current I<sub>th</sub>:** 3 A

### MECHANICAL CHARACTERISTIC

**Weight:** 0.021 kg

**Contact material:** Gold-plated silver

**Wire cross section:** Max. wire diameter 2 wires à 1.2 mm  
Max. wire cross-section of stranded cable 1 x 1 mm<sup>2</sup>

**Mechanical lifetime:** 2 Mio. cycles of operation

**Tightening torque:** Fixing nut max. 0.25 Nm

**Operating force:** 3 N ... 6 N

**Terminal:** Soldering terminal

**Operating Travel:** 3 mm

**Switching system:** Snap-action switching element

**Switching action:** Momentary

### AMBIENT CONDITION

**Climate resistance:** Standard condition, as per DIN EN 60068-2-78  
Standard cyclic, as per DIN IEC 60068-2-30

**Shock resistance:** Max. 150 m / s<sup>2</sup>, pulse width 11 ms, 3-axis, (semi-sinusoidal as per EN IEC 60068-2-27)

**Storage temperature:** - 40 °C ... + 85 °C

**Vibration resistance:** Max. 100 m / s<sup>2</sup> from 10 Hz ... 500 Hz, (sinusoidal EN IEC 60068-2-6)

**IP front protection:** IP67, according to DIN EN 60529

**Operating temperature:** - 25 °C ... + 55 °C, mounted as a block, make sure the heat can escape freely

### CERTIFICATE

**Conformities:** CE, UKCA, 2011 / 65 / EC (RoHS), 2014 / 35 / EU (LVD)

**Approbations:** CB (IEC 61058-1), CQC, CSA, DNV, EAC, ENEC (EN 61058-1), UL, VDE

### OTHER

**max. number of switching elements:** 1

**Short Description:** Illuminated pushbutton, Momentary, 250 V AC @ 5 A, 24 V AC/DC, 1 NC / 1 NO, Soldering terminal, White, Colourless

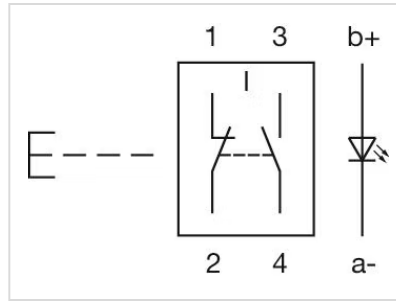
**Housing colour:**

Black

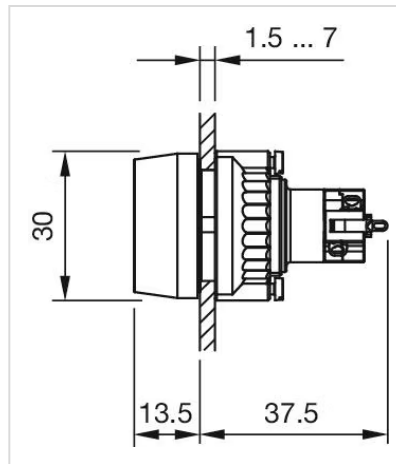
**Housing material:**

Plastic

**Wiring diagrams:**



**Dimension drawings:**



**Mounting cut-outs:**

