

Illuminated pushbutton

K14-131.121052

Distribution by
DigiKey

DigiKey



<https://digikey.eao.com/p/K14-131.121052>

Your product:



K14-131.121052 Illuminated pushbutton

MOUNTING

Mounting cut-out: Ø 22.3 mm

OPERATING-/INDICATION PART

Illumination colour: Red

Lens colour: Red

Lens optics: transparent

Lens shape: raised

Lens illumination: illuminative

Lens material: Plastic

ELECTRICAL CHARACTERISTICS

Thermal current I_{th}: 3 A

Contacts: 1 NC / 1 NO

Electric strength: 3000 VAC, 50 Hz, 1 min. between all terminals and earth, according to EN/IEC 61058-1

Standards: According to EN/IEC 61058-1

Operation current: 2,5/5 mA ±15 %

Operating voltage: 28 V AC/DC

Rated Operational Voltage U_e: 250 VAC/DC according to EN IEC 61058-1

Switching voltage and switching current:

- 250 VAC, 5 A (ohmic)
- 250 VAC, 3 A (Soldering terminal)
- 250 VAC, 2 A (inductive, cos(phi) = 0.7)
- 220 VDC, 0.1 A (inductive, L:R = 30 ms)
- 110 VDC, 0.2 A (inductive, L:R = 30 ms)
- 60 VDC, 0.7 A (inductive, L:R = 30 ms)
- 24 VDC, 2 A (inductive, L:R = 30 ms)

Electrical lifetime: 50 000 cycles of operation

MECHANICAL CHARACTERISTIC

Switching system: Snap-action switching element

Weight: 0.021 kg

Operating Travel: 3 mm

Operating force: 3 N ... 6 N

Contact material: Gold-plated silver

Mechanical lifetime: 2 Mio. cycles of operation

Wire cross section: Max. wire diameter 2 wires à 1.2 mm
Max. wire cross-section of stranded cable 1 x 1 mm²

Switching action: Momentary

Terminal: Soldering terminal

Tightening torque: Fixing nut max. 0.25 Nm

AMBIENT CONDITION

Vibration resistance: Max. 100 m / s² from 10 Hz ... 500 Hz, (sinusoidal EN IEC 60068-2-6)

Shock resistance: Max. 150 m / s², pulse width 11 ms, 3-axis, (semi-sinusoidal as per EN IEC 60068-2-27)

Storage temperature: – 40 °C ... + 85 °C

Climate resistance: Standard condition, as per DIN EN 60068-2-78
Standard cyclic, as per DIN IEC 60068-2-30

Operating temperature: – 25 °C ... + 55 °C, mounted as a block, make sure the heat can escape freely

IP front protection: IP67, according to DIN EN 60529

CERTIFICATE

Conformities: CE, UKCA, 2011 / 65 / EC (RoHS), 2014 / 35 / EU (LVD)

Approbations: CB (IEC 61058-1), CQC, CSA, DNV, EAC, ENEC (EN 61058-1), UL, VDE

OTHER

Housing material: Plastic

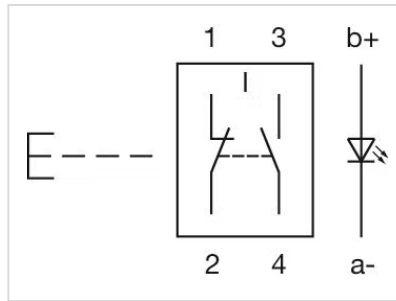
Housing colour: Black

max. number of switching elements: 1

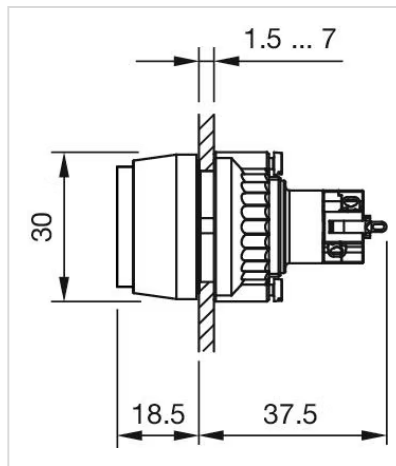
Short Description:

Illuminated pushbutton, Momentary, 250 V AC @ 5 A, 28 V AC/DC, 1 NC / 1 NO, Soldering terminal, Red, Red

Wiring diagrams:



Dimension drawings:



Mounting cut-outs:

