

# Illuminated pushbutton

K14-131.111072

Distribution by  
DigiKey

**DigiKey**



<https://digkey.eao.com/p/K14-131.111072>

Your product:

---



## K14-131.111072 Illuminated pushbutton

### MOUNTING

**Mounting cut-out:** Ø 22.3 mm

### OPERATING-/INDICATION PART

**Lens shape:** flush  
**Lens optics:** transparent  
**Lens colour:** Yellow  
**Lens illumination:** illuminative  
**Illumination colour:** Yellow  
**Lens material:** Plastic

### ELECTRICAL CHARACTERISTICS

**Standards:** According to EN/IEC 61058-1

**Electrical lifetime:** 50 000 cycles of operation

**Switching voltage and switching current:**  
250 VAC, 5 A (ohmic)  
250 VAC, 3 A (Soldering terminal)  
250 VAC, 2 A (inductive,  $\cos(\phi) = 0.7$ )  
220 VDC, 0.1 A (inductive, L:R = 30 ms)  
110 VDC, 0.2 A (inductive, L:R = 30 ms)  
60 VDC, 0.7 A (inductive, L:R = 30 ms)  
24 VDC, 2 A (inductive, L:R = 30 ms)

**Thermal current I<sub>th</sub>:** 3 A

**Operating voltage:** 28 V AC/DC

**Contacts:** 1 NC / 1 NO

**Operation current:** 7/14 mA ±15 %

**Electric strength:** 3000 VAC, 50 Hz, 1 min. between all terminals and earth, according to EN/IEC 61058-1

**Rated Operational Voltage U<sub>e</sub>:** 250 VAC/DC according to EN IEC 61058-1

### MECHANICAL CHARACTERISTIC

**Tightening torque:** Fixing nut max. 0.25 Nm

**Operating Travel:** 3 mm

**Switching system:** Snap-action switching element

**Switching action:** Momentary

**Mechanical lifetime:** 2 Mio. cycles of operation

**Operating force:** 3 N ... 6 N

**Terminal:** Plug-in terminal, 2.8 x 0.5 mm

**Contact material:** Gold-plated silver

**Wire cross section:** Max. wire cross-section 2 wires with 1 mm  
Max. wire cross-section of stranded cable 2 of 0.75 mm<sup>2</sup> or 1 x 1.0 mm<sup>2</sup>

**Weight:** 0.021 kg

**Switching system:** Self-cleaning, double-break snap action switching system (contact opening width 2 mm x 1.5 mm).

### AMBIENT CONDITION

**Shock resistance:** Max. 150 m / s<sup>2</sup>, pulse width 11 ms, 3-axis, (semi-sinusoidal as per EN IEC 60068-2-27)

**Operating temperature:** – 25 °C ... + 55 °C, mounted as a block, make sure the heat can escape freely

**Climate resistance:** Standard condition, as per DIN EN 60068-2-78  
Standard cyclic, as per DIN IEC 60068-2-30

**Vibration resistance:** Max. 100 m / s<sup>2</sup> from 10 Hz ... 500 Hz, (sinusoidal EN IEC 60068-2-6)

**Storage temperature:** – 40 °C ... + 85 °C

**IP front protection:** IP67, according to DIN EN 60529

### CERTIFICATE

**Conformities:** CE, UKCA, 2011 / 65 / EC (RoHS), 2014 / 35 / EU (LVD)

**Approbations:** CB (IEC 61058-1), CQC, CSA, DNV, EAC, ENEC (EN 61058-1), UL, VDE

### OTHER

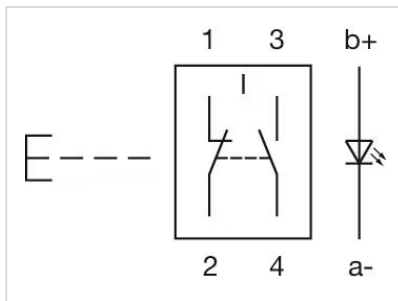
**Housing colour:** Black

**Housing material:** Plastic

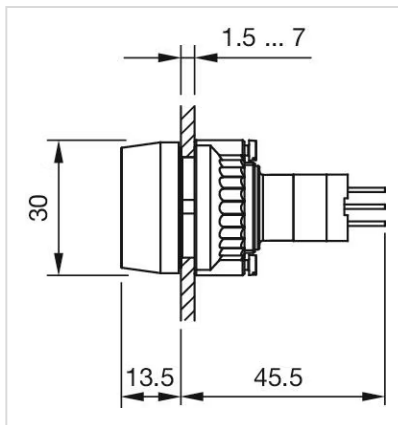
**Short Description:**

Illuminated pushbutton, Momentary, 250 V AC @ 5 A, 28 V AC/DC, 1 NC / 1 NO, Plug-in terminal, 2.8 x 0.5 mm, Yellow, Yellow

**Wiring diagrams:**



**Dimension drawings:**



**Mounting cut-outs:**

