

Illuminated pushbutton

K14-131.111062

Distribution by
DigiKey

DigiKey



<https://digikey.eao.com/p/K14-131.111062>

Your product:



K14-131.111062 Illuminated pushbutton

MOUNTING

Mounting cut-out: Ø 22.3 mm

OPERATING-/INDICATION PART

Lens shape: flush

Lens illumination: illuminative

Illumination colour: Blue

Lens optics: transparent

Lens material: Plastic

Lens colour: Blue

ELECTRICAL CHARACTERISTICS

Operation current:	7/14 mA \pm 15 %
Switching voltage and switching current:	250 VAC, 5 A (ohmic) 250 VAC, 2 A (inductive, $\cos(\phi) = 0.7$) 220 VDC, 0.1 A (inductive, L:R = 30 ms) 110 VDC, 0.2 A (inductive, L:R = 30 ms) 60 VDC, 0.7 A (inductive, L:R = 30 ms) 24 VDC, 2 A (inductive, L:R = 30 ms)
Contacts:	1 NC / 1 NO
Thermal current I_{th}:	5 A
Electrical lifetime:	50 000 cycles of operation
Rated Operational Voltage U_e:	250 VAC/DC according to EN IEC 61058-1
Electric strength:	3000 VAC, 50 Hz, 1 min. between all terminals and earth, according to EN/IEC 61058-1
Operating voltage:	28 V AC/DC
Standards:	According to EN/IEC 61058-1

MECHANICAL CHARACTERISTIC

Switching action:	Momentary
Switching system:	Snap-action switching element
Tightening torque:	Fixing nut max. 0.25 Nm
Operating force:	3 N ... 6 N
Contact material:	Gold-plated silver
Terminal:	Plug-in terminal, 2.8 x 0.5 mm
Switching system:	Self-cleaning, double-break snap action switching system (contact opening width 2 mm x 1.5 mm).
Wire cross section:	Max. wire cross-section 2 wires with 1 mm Max. wire cross-section of stranded cable 2 of 0.75 mm ² or 1 x 1.0 mm ²
Weight:	0.021 kg
Mechanical lifetime:	2 Mio. cycles of operation
Operating Travel:	3 mm

AMBIENT CONDITION

IP front protection:	IP67, according to DIN EN 60529
Operating temperature:	- 25 °C ... + 55 °C, mounted as a block, make sure the heat can escape freely
Shock resistance:	Max. 150 m / s ² , pulse width 11 ms, 3-axis, (semi-sinusoidal as per EN IEC 60068-2-27)
Climate resistance:	Standard condition, as per DIN EN 60068-2-78

Standard cyclic, as per DIN IEC 60068-2-30

Vibration resistance: Max. 100 m / s² from 10 Hz ... 500 Hz, (sinusoidal EN IEC 60068-2-6)

Storage temperature: - 40 °C ... + 85 °C

CERTIFICATE

Conformities: CE, UKCA, 2011 / 65 / EC (RoHS), 2014 / 35 / EU (LVD)

Approbations: CB (IEC 61058-1), CQC, CSA, DNV, ENEC (EN 61058-1), UL

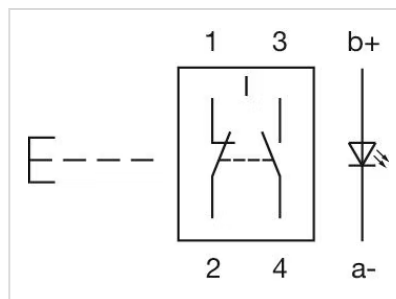
OTHER

Housing material: Plastic

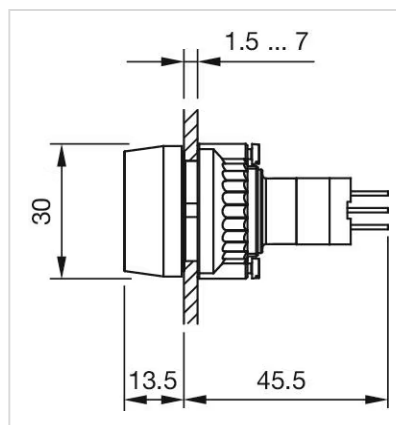
Housing colour: Black

Short Description: Illuminated pushbutton, Momentary, 250 V AC @ 5 A, 28 V AC/DC, 1 NC / 1 NO, Plug-in terminal, 2.8 x 0.5 mm, Blue, Blue

Wiring diagrams:



Dimension drawings:



Mounting cut-outs:

