

Illuminated pushbutton

K14-131.111022

Distribution by
DigiKey

DigiKey



<https://digikey.eao.com/p/K14-131.111022>

Your product:



K14-131.111022 Illuminated pushbutton

MOUNTING

Mounting cut-out: Ø 22.3 mm

OPERATING-/INDICATION PART

Lens illumination: illuminative

Lens material: Plastic

Illumination colour: Yellow

Lens shape: raised

Lens optics: transparent

Lens colour: Yellow

ELECTRICAL CHARACTERISTICS

Switching voltage and switching current:
250 VAC, 5 A (ohmic)
250 VAC, 3 A (Soldering terminal)
250 VAC, 2 A (inductive, $\cos(\phi) = 0.7$)
220 VDC, 0.1 A (inductive, L:R = 30 ms)
110 VDC, 0.2 A (inductive, L:R = 30 ms)
60 VDC, 0.7 A (inductive, L:R = 30 ms)
24 VDC, 2 A (inductive, L:R = 30 ms)

Electric strength: 3000 VAC, 50 Hz, 1 min. between all terminals and earth, according to EN/IEC 61058-1

Operating voltage: 28 V AC/DC

Thermal current I_{th}: 3 A

Rated Operational Voltage U_e: 250 VAC/DC according to EN IEC 61058-1

Standards: According to EN/IEC 61058-1

Contacts: 1 NC / 1 NO

Operation current: 7/14 mA ± 15 %

Electrical lifetime: 50 000 cycles of operation

MECHANICAL CHARACTERISTIC

Wire cross section: Max. wire cross-section 2 wires with 1 mm
Max. wire cross-section of stranded cable 2 of 0.75 mm² or 1 x 1.0 mm²

Switching action: Momentary

Tightening torque: Fixing nut max. 0.25 Nm

Operating Travel: 3 mm

Mechanical lifetime: 2 Mio. cycles of operation

Weight: 0.021 kg

Switching system: Snap-action switching element

Terminal: Plug-in terminal, 2.8 x 0.5 mm

Contact material: Gold-plated silver

Operating force: 3 N ... 6 N

Switching system: Self-cleaning, double-break snap action switching system (contact opening width 2 mm x 1.5 mm).

AMBIENT CONDITION

Vibration resistance: Max. 100 m / s² from 10 Hz ... 500 Hz, (sinusoidal EN IEC 60068-2-6)

Storage temperature: - 40 °C ... + 85 °C

Climate resistance: Standard condition, as per DIN EN 60068-2-78
Standard cyclic, as per DIN IEC 60068-2-30

IP front protection: IP67, according to DIN EN 60529

Shock resistance: Max. 150 m / s², pulse width 11 ms, 3-axis, (semi-sinusoidal as per EN IEC 60068-2-27)

Operating temperature: - 25 °C ... + 55 °C, mounted as a block, make sure the heat can escape freely

CERTIFICATE

Approbations: CB (IEC 61058-1), CQC, CSA, DNV, EAC, ENEC (EN 61058-1), UL, VDE

Conformities: CE, UKCA, 2011 / 65 / EC (RoHS), 2014 / 35 / EU (LVD)

OTHER

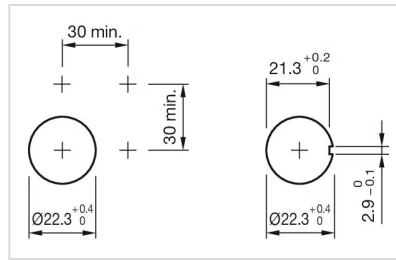
Housing colour: Black

Short Description:

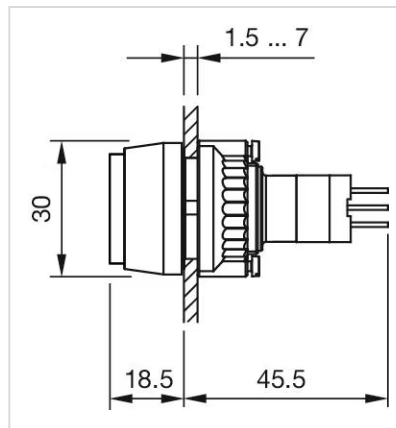
Illuminated pushbutton, Momentary, 250 V AC @ 5 A, 28 V AC/DC, 1 NC / 1 NO, Plug-in terminal, 2.8 x 0.5 mm, Yellow, Yellow

Housing material: Plastic

Mounting cut-outs:



Dimension drawings:



Wiring diagrams:

