

Illuminated pushbutton

K14-131.111021

Distribution by
DigiKey

DigiKey



<https://digikey.eao.com/p/K14-131.111021>

Your product:



K14-131.111021 Illuminated pushbutton

MOUNTING

Mounting cut-out: Ø 22.3 mm

OPERATING-/INDICATION PART

Lens illumination: illuminative

Lens optics: transparent

Illumination colour: Yellow

Lens shape: raised

Lens material: Plastic

Lens colour: Yellow

ELECTRICAL CHARACTERISTICS

Thermal current I_{th}: 3 A

Operation current: 7/14 mA ±15 %

Rated Operational Voltage U_e: 250 VAC/DC according to EN IEC 61058-1

Standards: According to EN/IEC 61058-1

Switching voltage and switching current:
250 VAC, 5 A (ohmic)
250 VAC, 3 A (Soldering terminal)
250 VAC, 2 A (inductive, cos(phi) = 0.7)
220 VDC, 0.1 A (inductive, L:R = 30 ms)
110 VDC, 0.2 A (inductive, L:R = 30 ms)
60 VDC, 0.7 A (inductive, L:R = 30 ms)
24 VDC, 2 A (inductive, L:R = 30 ms)

Operating voltage: 24 V AC/DC

Electrical lifetime: 50 000 cycles of operation

Contacts: 1 NC / 1 NO

Electric strength:

3000 VAC, 50 Hz, 1 min. between all terminals and earth, according to EN/IEC 61058-1

MECHANICAL CHARACTERISTIC

Switching system:	Snap-action switching element
Operating force:	3 N ... 6 N
Wire cross section:	Max. wire cross-section 2 wires with 1 mm Max. wire cross-section of stranded cable 2 of 0.75 mm ² or 1 x 1.0 mm ²
Contact material:	Gold-plated silver
Weight:	0.021 kg
Operating Travel:	3 mm
Switching action:	Momentary
Switching system:	Self-cleaning, double-break snap action switching system (contact opening width 2 mm x 1.5 mm).
Terminal:	Plug-in terminal, 2.8 x 0.5 mm
Tightening torque:	Fixing nut max. 0.25 Nm
Mechanical lifetime:	2 Mio. cycles of operation

AMBIENT CONDITION

Operating temperature:	- 25 °C ... + 55 °C, mounted as a block, make sure the heat can escape freely
Shock resistance:	Max. 150 m / s ² , pulse width 11 ms, 3-axis, (semi-sinusoidal as per EN IEC 60068-2-27)
Vibration resistance:	Max. 100 m / s ² from 10 Hz ... 500 Hz, (sinusoidal EN IEC 60068-2-6)
Climate resistance:	Standard condition, as per DIN EN 60068-2-78 Standard cyclic, as per DIN IEC 60068-2-30
IP front protection:	IP67, according to DIN EN 60529
Storage temperature:	- 40 °C ... + 85 °C

CERTIFICATE

Conformities:	CE, UKCA, 2011 / 65 / EC (RoHS), 2014 / 35 / EU (LVD)
Approbations:	CB (IEC 61058-1), CQC, CSA, DNV, EAC, ENEC (EN 61058-1), UL, VDE

OTHER

Housing colour:	Black
------------------------	-------

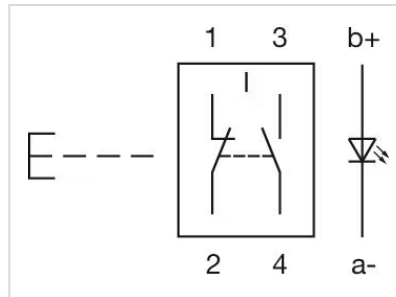
Short Description:

Illuminated pushbutton, Momentary, 250 V AC @ 5 A, 24 V AC/DC, 1 NC / 1 NO, Plug-in terminal, 2.8 x 0.5 mm, Yellow, Yellow

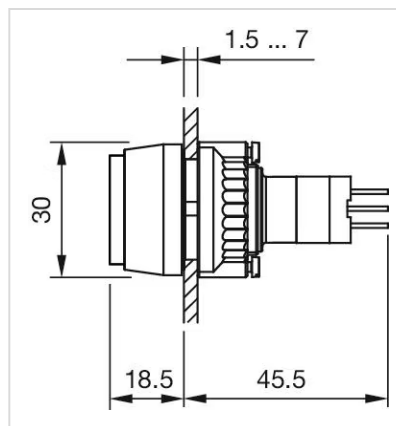
Housing material:

Plastic

Wiring diagrams:



Dimension drawings:



Mounting cut-outs:

