

Actuator

92-
450.000

Distribution by
DigiKey

DigiKey



<https://digikey.eao.com/component/92-450.000/...>

Your product:



92-450.000 Actuator

Loading ...

FRONT

Front dimension:	18,8 mm x 18,8 mm
Front form:	Square
Front bezel colour:	Black
Front bezel material:	Plastic

MOUNTING

Design:	PCB
Mounting type:	Panel mounting

OPERATING-/INDICATION PART

Lens illumination:	Illuminated
---------------------------	-------------

ELECTRICAL CHARACTERISTICS

Switching voltage and switching current:	Switching voltage	min. 50 m VAC/DC max. 42 VAC/DC
	Switching current	min. 10 µA AC/DC max. 100 mA AC/DC
	Power rating	max. 2 W

Switching rating:	42 V
--------------------------	------

Electrical lifetime:	500 000 cycles of operation at 42VDC, 50mA, according to IEC 6512-5-9c
-----------------------------	--

Electric strength:	500 VAC, 50 Hz, 1 minute according to IEC 60512-5-9c
---------------------------	--

Electrostatic discharge (ESD):	15 kV
---------------------------------------	-------

MECHANICAL CHARACTERISTICS

Switching action:	Momentary
Switching system:	Short-travel element
Switching system:	Short-travel switching system with 2 independent contact points Guarantees reliable switching even of very light loads. Fitted with 1 normally open contact.
Mechanical lifetime:	≥1 Mil. cycles of operation
Operating force:	2.7 N ±1 N switching element, 5 N lens
Operating Travel:	ca. 0.4 mm switching element
Tightening torque:	Fixing nut max. 0.5 Nm, Fixing screw mounting flange 0.4 Nm
Weight:	0.003 kg

AMBIENT CONDITION

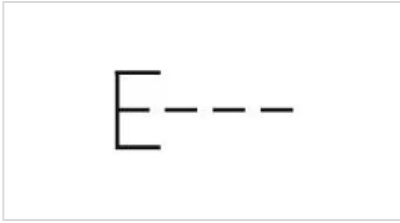
IP front protection:	IP40
IP Protection:	IP40 front side
Operating temperature:	- 25 °C ... + 70 °C
Storage temperature:	- 40 °C ... + 80 °C
Shock resistance:	Max. 500 m/s ² , pulse width, 3-axis (sinusoidal EN IEC 60068-2-27)
Vibration resistance:	Max. 100 m / s ² from 10 Hz ... 500 Hz, 10 cycles, 3-axis (sinusoidal EN IEC 60068-2-6)

CERTIFICATE

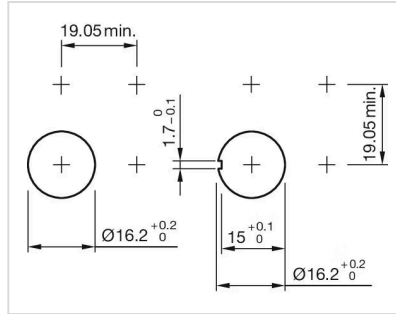
Approbations:	CQC
Conformities:	CE, UKCA, 2011 / 65 / EC (RoHS), 2014 / 35 / EU (LVD)
REACH:	REACH compliant
RoHS:	RoHS compliant

OTHER

Short Description:	Actuator, 18,8 mm x 18,8 mm, Illuminated, Square, Black, Plastic, Momentary, IP40
Housing colour:	White
Housing material:	Plastic
Hints:	Lens translucent
Wiring diagrams:	



Mounting cut-outs:



Dimension drawings:

