

# Actuator

92-  
358.700

Distribution by  
DigiKey

**DigiKey**



<https://digikey.eao.com/p/92-358.700>

Your product:

---



## 92-358.700 Actuator

### FRONT

<b>Front dimension:</b>	18,4 mm x 18,4 mm
<b>Front form:</b>	square
<b>Front bezel colour:</b>	White
<b>Front bezel material:</b>	Plastic

### MOUNTING

<b>Design:</b>	PCB
<b>Mounting type:</b>	Panel mounting

### OPERATING-/INDICATION PART

<b>Lens colour:</b>	Colourless
<b>Lens material:</b>	Plastic
<b>Lens illumination:</b>	illuminative
<b>Lens shape:</b>	flush
<b>Lens optics:</b>	transparent
<b>Illumination colour:</b>	White

### ELECTRICAL CHARACTERISTICS

<b>Switching voltage and switching current:</b>	Switching voltage	min. 50 m VAC/DC max. 42 VAC/DC
	Switching current	min. 10 $\mu$ A AC/DC max. 100 mA AC/DC
	Power rating	max. 2 W

**Electrical lifetime:** 500 000 cycles of operation at 42VDC, 50mA, according to IEC 6512-5-9c

**Electric strength:**

500 VAC, 50 Hz, 1 minute according to IEC 60512-5-9c

**Electrostatic discharge (ESD):** 15 kV

### MECHANICAL CHARACTERISTIC

**Switching action:** Momentary

**Switching system:** Short-travel element

**Switching system:** Short-travel switching system with 2 independent contact points  
Guarantees reliable switching even of very light loads. Fitted with 1 normally open contact.

**Mechanical lifetime:**  $\geq 1$  Mio. cycles of operation

**Operating force:** 2.7 N  $\pm$  1 N switching element, 5 N lens

**Operating Travel:** ca. 0.4 mm switching element

**Tightening torque:** Fixing nut max. 0.5 Nm, Fixing screw mounting flange 0.4 Nm

**Weight:** 0.003 kg

### AMBIENT CONDITION

**IP front protection:** IP40

**IP Protection:** IP40 front side

**Operating temperature:** - 25 °C ... + 70 °C

**Storage temperature:** - 40 °C ... + 80 °C

**Shock resistance:** Max. 500 m/s<sup>2</sup>, pulse width, 3-axis (sinusoidal EN IEC 60068-2-27)

**Vibration resistance:** Max. 100 m / s<sup>2</sup> from 10 Hz ... 500 Hz, 10 cycles, 3-axis (sinusoidal EN IEC 60068-2-6)

### CERTIFICATE

**Approbations:** CQC

**Conformities:** CE, UKCA, 2011 / 65 / EC (RoHS), 2014 / 35 / EU (LVD)

**REACH:** REACH compliant

**RoHS:** RoHS compliant

### OTHER

**Short Description:** Actuator, 18,4 mm x 18,4 mm, flush, illuminative, Colourless, Plastic, transparent, square, White, Plastic, Momentary, IP40, White

**Dimension:** 18.4 mm x 18.4 mm

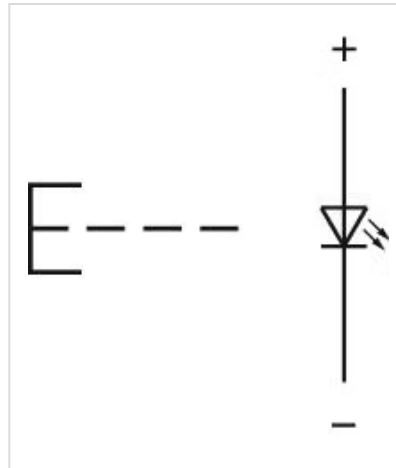
**Housing colour:**

White

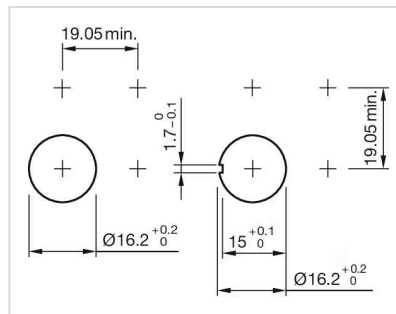
**Housing material:**

Plastic

**Wiring diagrams:**



**Mounting cut-outs:**



**Dimension drawings:**

