

# Actuator

92-  
158.500

Distribution by  
DigiKey

**DigiKey**



<https://digikey.eao.com/p/92-158.500>

Your product:

---



## 92-158.500 Actuator

*Loading . . .*

### FRONT

<b>Front bezel colour:</b>	Black
<b>Front form:</b>	square
<b>Front bezel material:</b>	Plastic
<b>Front dimension:</b>	18,4 mm x 18,4 mm

### MOUNTING

<b>Design:</b>	PCB
----------------	-----

### OPERATING-/INDICATION PART

<b>Lens material:</b>	Plastic
<b>Lens optics:</b>	transparent
<b>Lens illumination:</b>	illuminative
<b>Lens shape:</b>	flush
<b>Lens colour:</b>	Green

### MECHANICAL CHARACTERISTIC

<b>Weight:</b>	0.003 kg
<b>Tightening torque:</b>	Fixing nut max. 0.5 Nm, Fixing screw mounting flange 0.4 Nm

### AMBIENT CONDITION

<b>IP Protection:</b>	IP40 front side
<b>IP front protection:</b>	IP40

**Operating temperature:** - 25 °C ... + 70 °C

**Storage temperature:** - 40 °C ... + 80 °C

**CERTIFICATE**

**Approbations:** CQC

**Conformities:** CE, UKCA, 2011 / 65 / EC (RoHS), 2014 / 35 / EU (LVD)

**OTHER**

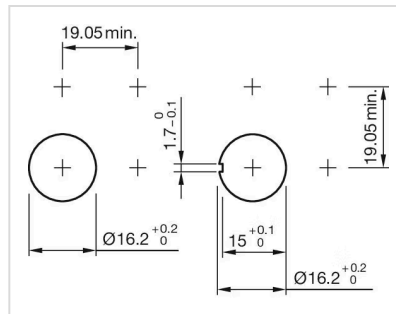
**Housing material:** Plastic

**Short Description:** Actuator, 18,4 mm x 18,4 mm, flush, illuminative, Green, Plastic, transparent, square, Black, Plastic, IP40

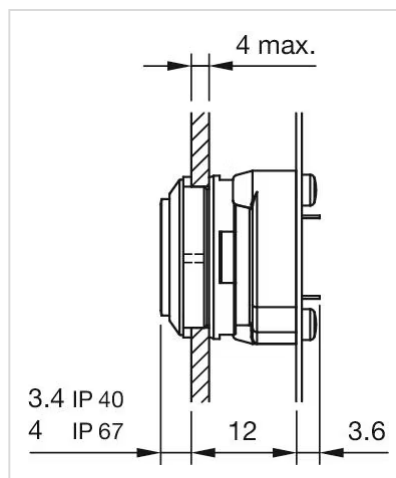
**Housing colour:** Black

**Dimension:** 18.4 mm x 18.4 mm

**Mounting cut-outs:**



**Dimension drawings:**



**Wiring diagrams:**

