

# Actuator

92-  
143.500

Distribution by  
DigiKey

**DigiKey**



<https://digikey.eao.com/component/92-143.500/...>

Your product:

---



## 92-143.500 Actuator

*Loading ...*

### FRONT

<b>Front dimension:</b>	18,8 mm x 18,8 mm
<b>Front form:</b>	Square
<b>Front bezel colour:</b>	Black
<b>Front bezel material:</b>	Plastic

### MOUNTING

<b>Design:</b>	PCB
<b>Mounting type:</b>	Panel mounting

### OPERATING-/INDICATION PART

<b>Lens colour:</b>	Green
<b>Lens material:</b>	Plastic
<b>Lens illumination:</b>	Illuminated
<b>Lens shape:</b>	Flush
<b>Lens optics:</b>	transparent

### MECHANICAL CHARACTERISTICS

<b>Tightening torque:</b>	Fixing nut max. 0.5 Nm, Fixing screw mounting flange 0.4 Nm
<b>Weight:</b>	0.019 kg

### AMBIENT CONDITION

<b>IP front protection:</b>	IP67
-----------------------------	------

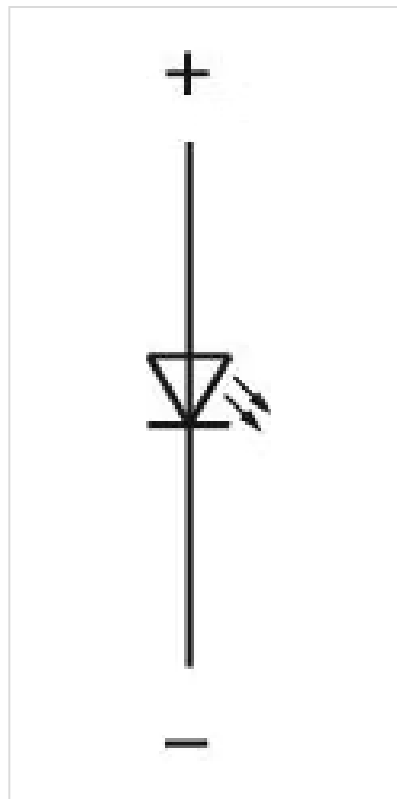
**IP Protection:** IP67 front side  
**Operating temperature:** - 25 °C ... + 70 °C  
**Storage temperature:** - 40 °C ... + 80 °C

### CERTIFICATE

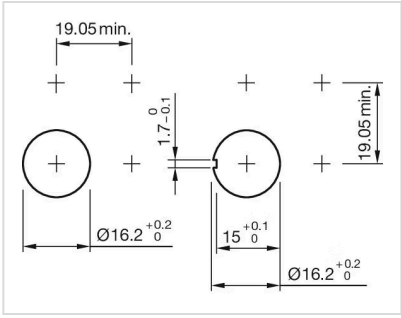
**Approbations:** CQC  
**Conformities:** CE, UKCA, 2011 / 65 / EC (RoHS), 2014 / 35 / EU (LVD)  
**REACH:** REACH compliant  
**RoHS:** RoHS compliant

### OTHER

**Short Description:** Actuator, 18,8 mm x 18,8 mm, Flush, Illuminated, Green, Plastic, transparent, Square, Black, Plastic, IP67  
**Dimension:** 18.8 mm x 18.8 mm  
**Housing colour:** Black  
**Housing material:** Plastic  
**Wiring diagrams:**



**Mounting cut-outs:**



**Dimension drawings:**

