

# Actuator

92-  
140.000

Distribution by  
DigiKey

**DigiKey**



<https://digikey.eao.com/p/92-140.000>

Your product:

---



## 92-140.000 Actuator

### FRONT

<b>Front dimension:</b>	18,8 mm x 18,8 mm
<b>Front form:</b>	Square
<b>Front bezel colour:</b>	Black
<b>Front bezel material:</b>	Plastic

### MOUNTING

<b>Design:</b>	PCB
<b>Mounting type:</b>	Panel mounting

### ELECTRICAL CHARACTERISTICS

**Switching rating:**

### MECHANICAL CHARACTERISTIC

<b>Tightening torque:</b>	Fixing nut max. 0.5 Nm, Fixing screw mounting flange 0.4 Nm
<b>Weight:</b>	0.003 kg

### AMBIENT CONDITION

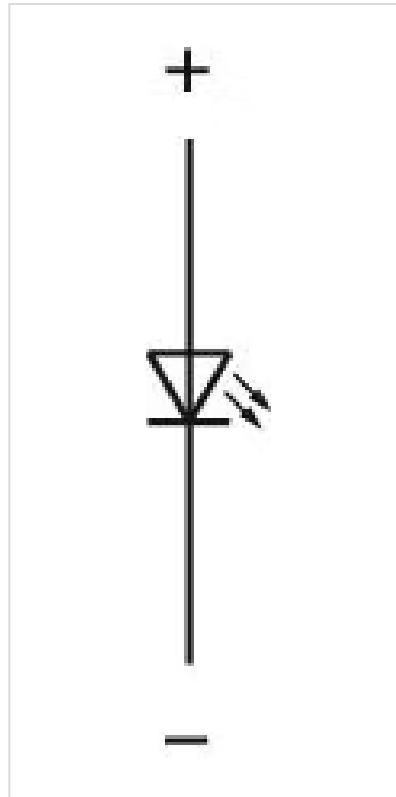
<b>IP front protection:</b>	IP67
<b>IP Protection:</b>	IP67 front side
<b>Operating temperature:</b>	- 25 °C ... + 70 °C
<b>Storage temperature:</b>	- 40 °C ... + 80 °C

## CERTIFICATE

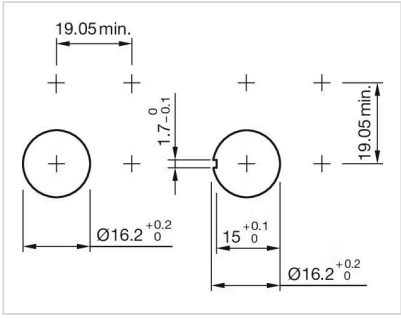
<b>Approbations:</b>	CQC
<b>Conformities:</b>	CE, UKCA, 2011 / 65 / EC (RoHS), 2014 / 35 / EU (LVD)
<b>REACH:</b>	REACH compliant
<b>RoHS:</b>	RoHS compliant

## OTHER

<b>Short Description:</b>	Actuator, 18,8 mm x 18,8 mm, Square, Black, Plastic, IP67
<b>Dimension:</b>	18,8 mm x 18,8 mm
<b>Housing colour:</b>	Black
<b>Housing material:</b>	Plastic
<b>Wiring diagrams:</b>	



**Mounting cut-outs:**



**Dimension drawings:**

