

Capacitive sensor switch with IO-Link Hygiene

Distribution by
DigiKey

DigiKey

84-ACKS-B13-04BC



<https://digikey.eao.com/component/84-ACKS-B13...>

Your product:



84-ACKS-B13-04BC

Capacitive sensor switch with IO-Link Hygiene

Loading . . .

FRONT

| | |
|------------------------------|----------------------|
| Front dimension: | Ø 30 mm |
| Front form: | Round |
| Front bezel material: | Stainless steel 316L |

MOUNTING

| | |
|--------------------------|----------------|
| Design: | Flush |
| Mounting cut-out: | Ø 22.5 mm |
| Mounting type: | Panel mounting |

OPERATING-/INDICATION PART

| | |
|---------------------------|-------------|
| Lens material: | Plastic |
| Lens illumination: | Illuminated |
| Lens shape: | Flush |
| Lens optics: | transparent |
| Symbol: | RESET (B13) |

ELECTRICAL CHARACTERISTICS

| | |
|---------------------------------|-----------------------|
| Operating voltage: | 8.4 - 32 V DC |
| Communication interface: | IO-Link specification |

MECHANICAL CHARACTERISTICS

| | |
|------------------|---------------|
| Terminal: | Connector M12 |
|------------------|---------------|

Switching system: Capacitive
Operating force: No actuating force necessary
Weight: 0.015 kg

AMBIENT CONDITION

IP front protection: IP69K
IK front protection: IK08
Operating temperature: – 30 °C ... + 65 °C
Climate resistance: Relative humidity, max. 95%, non-condensing

CERTIFICATE

Approbations: CSA, EHEDG
Conformities: CE, UKCA
REACH: REACH compliant
RoHS: RoHS compliant

OTHER

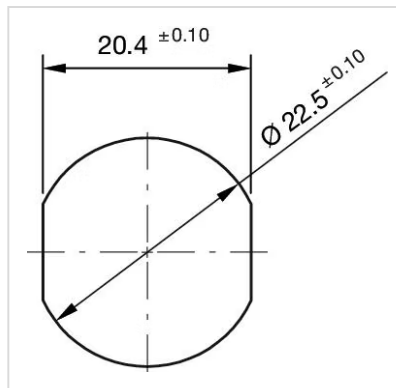
Short Description: Capacitive sensor switch with IO-Link Hygiene, Ø 22.5 mm, Ø 30 mm, Flush, Illuminated, Plastic, transparent, Round, Stainless steel 316L, Connector M12, IP69K, IK08, RESET (B13)
Housing colour: Black
Housing material: Plastic
Wiring diagrams:



Component layouts:



Mounting cut-outs:



Dimension drawings:

