

PCB plug-in base

84-920

Distribution by
DigiKey

DigiKey



<https://digikey.eao.com/component/84-920/en/p...>

Your product:



84-920 PCB plug-in base

Loading ...

ELECTRICAL CHARACTERISTICS

Forward voltage:

MECHANICAL CHARACTERISTICS

Terminal: PCB terminal

Weight: 0.003 kg

OTHER

Short Description: PCB plug-in base, 20.3 mm x 15.8 mm x 8.3 mm, Plastic, according to UL 94 V0, PCB terminal, Axial

Titel Accessory: PCB plug-in base

Dimension: 20.3 mm x 15.8 mm x 8.3 mm

Material 2: Metal

Material: Plastic, according to UL 94 V0

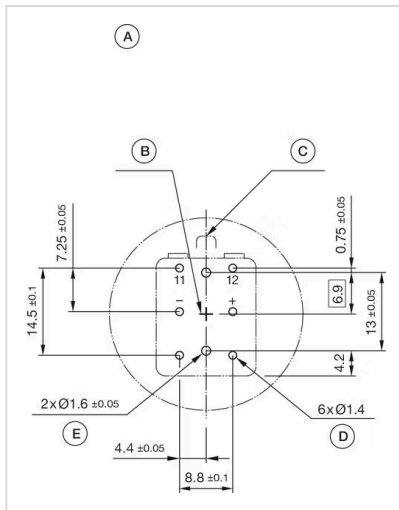
Product attributes: For Emergency stop switch, stop switch

Hints: Soldering instructions: Suitable for wave, selective or manual soldering. Max. soldering temperature 240° / 3 min.

Pins: Axial

Suitable for connection: Plug-in terminal

Component layouts:



- A = Drilling plan (component side)
- B = Centre from switch
- C = Anti-twist protection
- D = Pins for contacts/LED
- E = Positioning hole

Dimension drawings:

