

# Stop switch

84-6420.0020

Distribution by  
DigiKey

**DigiKey**



<https://digikey.eao.com/p/84-6420.0020>

Your product:

---



## 84-6420.0020 Stop switch

### FRONT

**Front dimension:** Ø 32 mm

**Front form:** round

### MOUNTING

**Mounting cut-out:** Ø 22.3 mm

### OPERATING-/INDICATION PART

**Switching position ring:** Black

**Lens illumination:** non illuminative

**Lens colour:** Red

**Lens shape:** mushroom-head

**Lens material:** Plastic

**Lens optics:** opaque

**Lens:** round

### ELECTRICAL CHARACTERISTICS

**Contacts:** 1 NC

**Electrical lifetime:** 50 000 cycles of operation

**Pollution degree:** 3, according to EN IEC 60947-1

**Switching voltage and switching current:**

Switch rating AC with silver contact (gold plated)		
Service category AC-15 as per EN IEC 60947-5-1		
Voltage	120 VAC	240 VAC
Current	3 A	1,5 A
Switch rating AC with silver contact (gold plated)		
Service category DC-13 as per EN IEC 60947-5-1		
NO contacts	NC contacts	NO/NC contacts
(48 VA)	(60 VA)	
12 VDC/2.0 A	12 VDC/2.5 A	125 VDC/0.22 A
24 VDC/2.0 A	24 VDC/2.5 A	250 VDC/0.11 A
48 VDC/1.0 A	48 VDC/1.25 A	
60 VDC/0.8 A	60 VDC/1.0 A	

<b>Standards:</b>	According to EN 60947-5-1, EN 60947-5-5, DIN EN ISO 13850, EN IEC 60204
<b>Thermal current I<sub>th</sub>:</b>	5 A
<b>Electric strength:</b>	500 VAC, 50 Hz, 1 minute according to DIN IEC 60512-2
<b>Overvoltage category:</b>	II, according to EN / IEC 61058-1
<b>Protection class:</b>	II, according to EN / IEC 60947-5
<b>Rated impulse withstand voltage U<sub>imp</sub>:</b>	2.5 kV, according to EN / IEC 60947-1
<b>Rated insulation voltage U<sub>i</sub>:</b>	250 V according to EN / IEC 60947-1
<b>Rated Operational Voltage U<sub>e</sub>:</b>	250 VAC/DC according to EN IEC 60947-1
<b>Rated short-circuit current caused:</b>	1 000 A, type of short-circuit device 6 A gG (EN 60947-5-1)

## MECHANICAL CHARACTERISTIC

<b>Terminal:</b>	Plug-in terminal, 2.8 x 0.5 mm
<b>Operating Travel:</b>	ca. 4 mm
<b>Weight:</b>	0.028 kg
<b>Contact material:</b>	Gold
<b>Switching action:</b>	Maintained
<b>Switching system:</b>	Slow-make switching element
<b>Release type:</b>	Twist to unlock
<b>Mechanical lifetime:</b>	250 000 cycles of operation
<b>Operating force:</b>	17 N ± 4 N
<b>Tightening torque:</b>	Fixing nut 0.8 Nm

## AMBIENT CONDITION

<b>IP Protection:</b>	IP20 rear side
<b>Operating temperature:</b>	- 25 °C ... + 70 °C

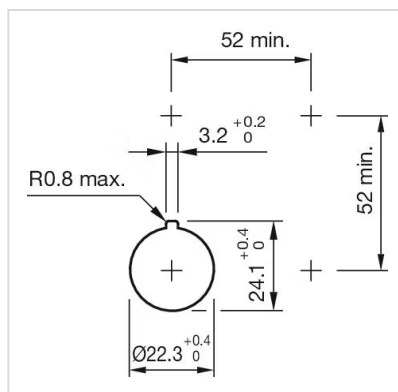
<b>Storage temperature:</b>	- 25 °C ... + 85 °C
<b>Climate resistance:</b>	Damp heat, cyclic: 96 hours, + 25 °C/97 %, + 55 °C/93 % relative humidity, as per EN IEC 60068-2-30 Damp heat, steady: 56 days, + 40 °C/93 % relative humidity, according to EN IEC 60068-2-78 Dry heat: 96 hours, + 65 °C, as per EN IEC 60068-2-2 Low temperature: 96 hours, - 25 °C (as per EN IEC 60068-2-1) ) UV test, 56 days (EN 60068-2-5:1999) Saline mist: 96 hours, + 35 °C in chemical solution NaCl, as per EN IEC 60068-2-11
<b>Shock resistance:</b>	Max. 150 m / s <sup>2</sup> , pulse width 11 ms, 3-axis, (semi-sinusoidal as per EN IEC 60068-2-27)
<b>Vibration resistance:</b>	Max. 50 m / s <sup>2</sup> from 10 Hz ... 500 Hz, 10 cycles, 3-axis (sinusoidal EN IEC 60068-2-6)
<b>IP front protection:</b>	IP65, according to DIN EN 60529

### CERTIFICATE

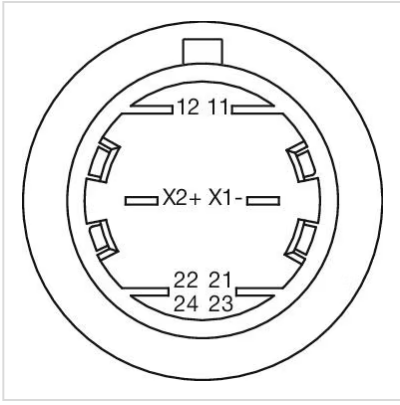
<b>Approbations:</b>	CCC, UL
<b>Conformities:</b>	CE, UKCA, 2006 / 42 / EC (MD), 2011 / 65 / EC (RoHS)

### OTHER

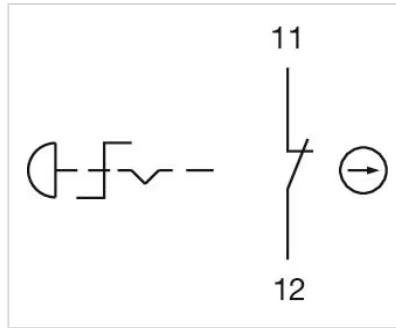
<b>Housing colour:</b>	Grey
<b>Housing material:</b>	Plastic
<b>Material:</b>	Plastic
<b>Short Description:</b>	Stop switch, Ø 22,3 mm, Ø 32 mm, mushroom-head, non illuminative, Red, Plastic, opaque, round, 1 NC, Maintained, Plug-in terminal, 2.8 x 0.5 mm, IP65, according to DIN EN 60529, Twist to unlock
<b>Hints:</b>	Position indication ring black, Twist to unlock clockwise
<b>Mounting cut-outs:</b>	



### Component layouts:



**Wiring diagrams:**



**Dimension drawings:**

