

Actuator

84-1201.7

Distribution by
DigiKey

DigiKey



<https://digikey.eao.com/component/84-1201.7/e...>

Your product:



84-1201.7 Actuator

Loading ...

FRONT

| | |
|------------------------------|-----------|
| Front dimension: | Ø 25 mm |
| Front form: | Round |
| Front bezel colour: | Nature |
| Front bezel material: | Aluminium |

MOUNTING

| | |
|--------------------------|----------------|
| Design: | Flush |
| Mounting cut-out: | Ø 22.5 mm |
| Mounting type: | Panel mounting |

OPERATING-/INDICATION PART

| | |
|---------------------------|-------------|
| Lens illumination: | Illuminated |
|---------------------------|-------------|

MECHANICAL CHARACTERISTICS

| | |
|-----------------------------|-----------------------------------|
| Switching action: | Momentary |
| Switching system: | Short-travel element |
| Mechanical lifetime: | ≥1 Mil. cycles of operation |
| Operating force: | 4.5 N ±1 N (measured at the lens) |
| Operating Travel: | 1.2 mm |
| Tightening torque: | Fixing nut 0.8 Nm |
| Weight: | 0.007 kg |

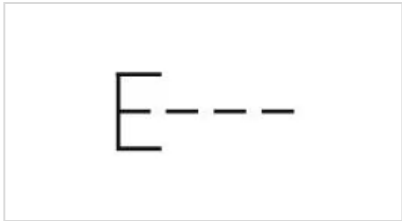
AMBIENT CONDITION

| | |
|-------------------------------|---|
| IP front protection: | IP65, IP67 |
| IP Protection: | IP65, IP67 |
| Operating temperature: | - 25 °C ... + 70 °C |
| Storage temperature: | - 40 °C ... + 85 °C |
| Climate resistance: | Damp heat, cyclic: 96 hours, + 25 °C/97 %, + 55 °C/93 % relative humidity, as per EN IEC 60068-2-30 Damp heat, steady: 56 days, + 40 °C/93 % relative humidity, according to EN IEC 60068-2-78 Rapid change of temperature: 100 cycles, - 40 °C ... + 80 °C, as per EN / IEC 60068-2-14 |

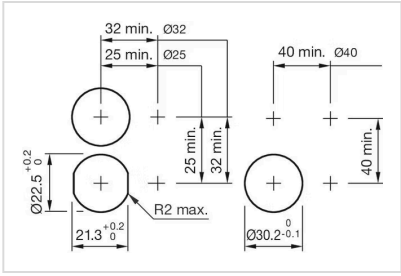
CERTIFICATE

| | |
|----------------------|---------------------------------|
| Approbations: | EBC (TSI PRM), NFF |
| Conformities: | CE, UKCA, 2011 / 65 / EC (RoHS) |
| REACH: | REACH compliant |
| RoHS: | RoHS compliant |

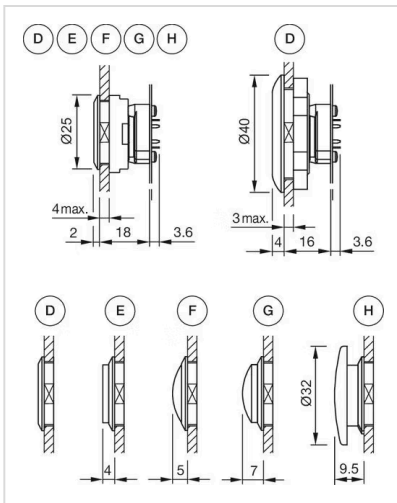
OTHER

| | |
|-------------------------------|--|
| Short Description: | Actuator, Ø 22.5 mm, Ø 25 mm, Illuminated, Round, Nature, Aluminium, anodised, Momentary, IP65, IP67 |
| Dimension: | Ø 25 mm |
| Housing colour: | Nature |
| Housing material: | Aluminium |
| Description component: | Material housing actuator: Plastic as per UL94 V0 |
| Wiring diagrams: |  |

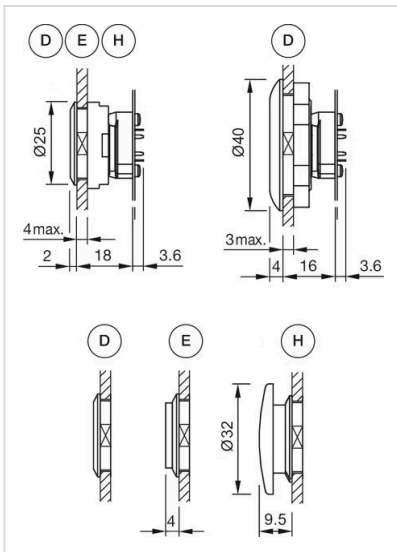
Mounting cut-outs:



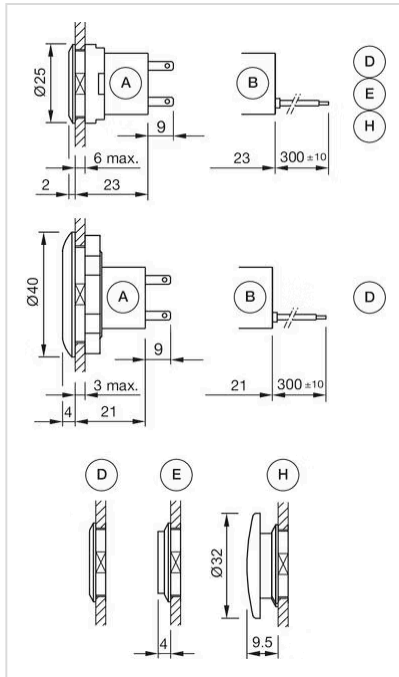
Dimension drawings:



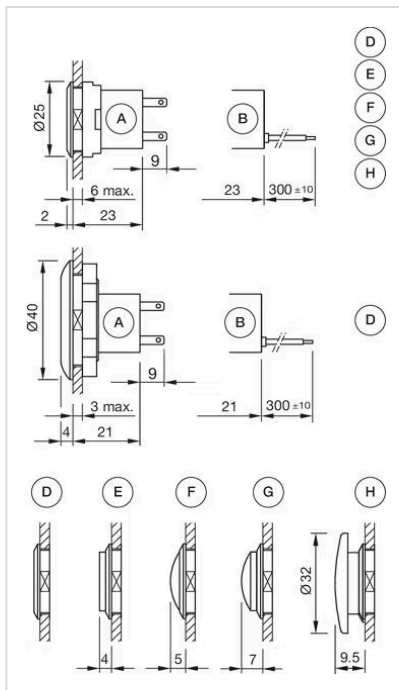
D = Lens level with bezel
 E = Lens raised above bezel
 F = Lens konvexe level with bezel
 G = Lens convexe raised above bezel
 H = Mushroom-head cap



A = Lens level with bezel
 E = Lens raised above bezel
 H = Mushroom-head cap



- A = Plug-in terminal 2.8 mm x 0.8 mm
- B = Flat ribbon cable
- D = Lens level with bezel
- E = Lens raised above bezel
- H = Mushroom-head cap



- A = Plug-in terminal 2.8 mm x 0.5 mm
- B = Flat ribbon cable
- D = Lens level with bezel
- E = Lens raised above bezel
- F = Lens konvexe level with bezel
- G = Lens konvexe raised above bezel
- H = Mushroom-head cap