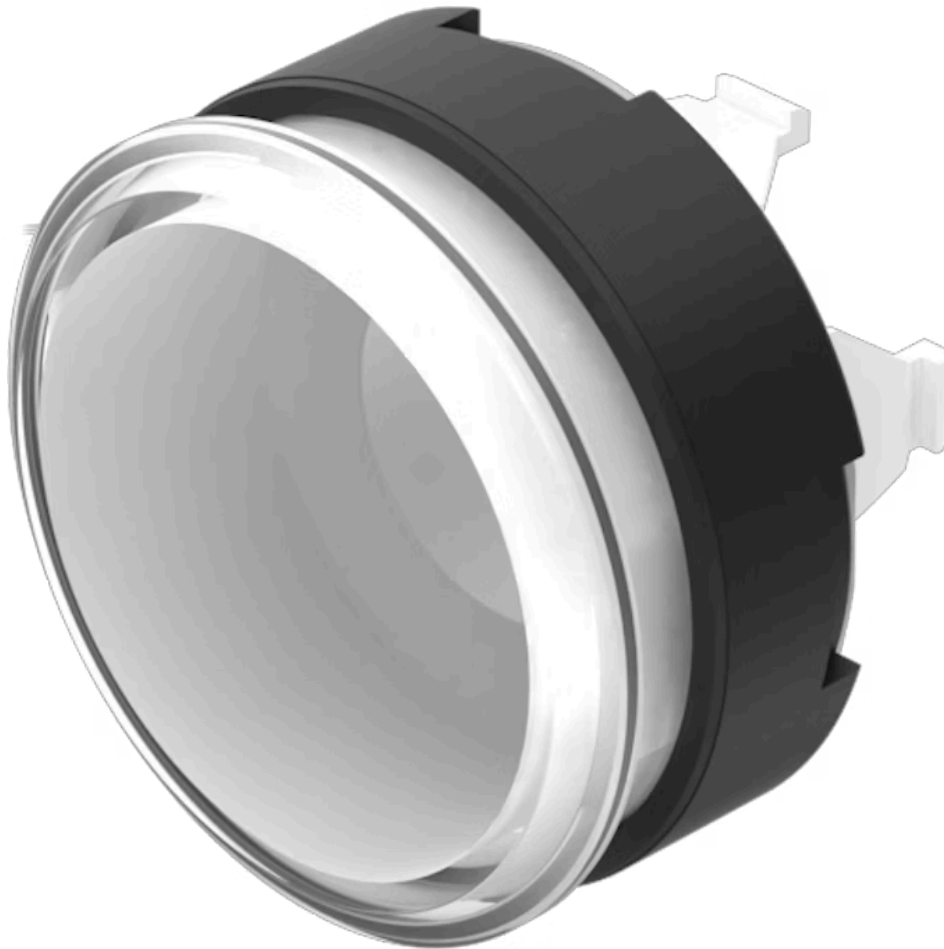


# Actuator

84-1091.7

Distribution by  
DigiKey

**DigiKey**



<https://digikey.eao.com/component/84-1091.7/e...>

Your product:

---



## 84-1091.7 Actuator

*Loading ...*

### FRONT

<b>Front dimension:</b>	Ø 25 mm
<b>Front form:</b>	Round
<b>Front bezel colour:</b>	White
<b>Front bezel material:</b>	Plastic

### MOUNTING

<b>Design:</b>	Flush
<b>Mounting cut-out:</b>	Ø 22.5 mm
<b>Mounting type:</b>	Panel mounting

### OPERATING-/INDICATION PART

<b>Lens illumination:</b>	Illuminated
---------------------------	-------------

### MECHANICAL CHARACTERISTICS

<b>Switching action:</b>	Momentary
<b>Switching system:</b>	Short-travel element
<b>Mechanical lifetime:</b>	≥1 Mil. cycles of operation
<b>Operating force:</b>	4.5 N ±1 N (measured at the lens)
<b>Operating Travel:</b>	1.2 mm
<b>Tightening torque:</b>	Fixing nut 0.8 Nm
<b>Weight:</b>	0.008 kg

## AMBIENT CONDITION

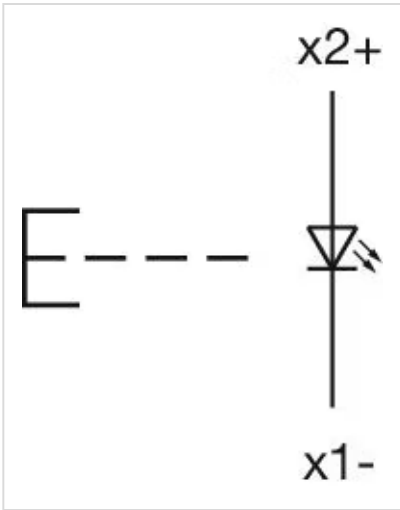
<b>IP front protection:</b>	IP65, IP67
<b>IP Protection:</b>	IP65, IP67
<b>Operating temperature:</b>	- 25 °C ... + 70 °C
<b>Storage temperature:</b>	- 40 °C ... + 85 °C
<b>Climate resistance:</b>	Damp heat, cyclic: 96 hours, + 25 °C/97 %, + 55 °C/93 % relative humidity, as per EN IEC 60068-2-30 Damp heat, steady: 56 days, + 40 °C/93 % relative humidity, according to EN IEC 60068-2-78 Rapid change of temperature: 100 cycles, - 40 °C ... + 80 °C, as per EN / IEC 60068-2-14

## CERTIFICATE

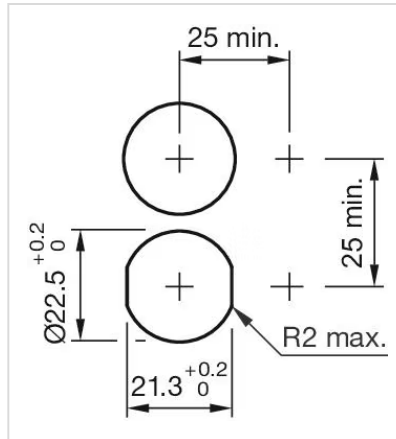
<b>Approbations:</b>	EBC (TSI PRM), NFF
<b>Conformities:</b>	CE, UKCA, 2011 / 65 / EC (RoHS)
<b>REACH:</b>	REACH compliant
<b>RoHS:</b>	RoHS compliant

## OTHER

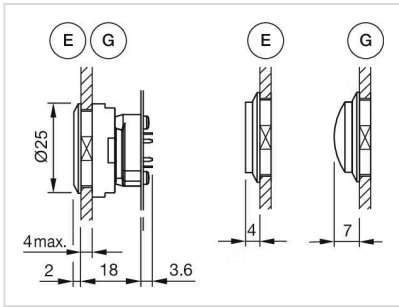
<b>Short Description:</b>	Actuator, Ø 22.5 mm, Ø 25 mm, Illuminated, Round, White, Plastic, translucent, Momentary, IP65, IP67
<b>Housing colour:</b>	White
<b>Housing material:</b>	Plastic
<b>Hints:</b>	Front bezel illuminated
<b>Description component:</b>	Material housing actuator: Plastic as per UL94 V0
<b>Wiring diagrams:</b>	



**Mounting cut-outs:**

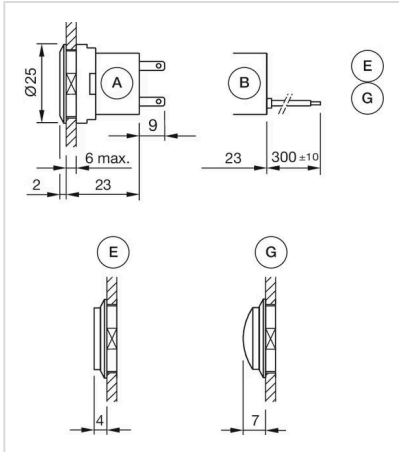


**Dimension drawings:**



E = Lens raised above bezel

G = Lens convexe raised above bezel



A = Plug-in terminal 2.8 mm x 0.8 mm

B = Flat ribbon cable

E = Lens raised above bezel

G = Lens convexe raised above bezel