

Actuator

84-0100.0

Distribution by
DigiKey

DigiKey



<https://digikey.eao.com/component/84-0100.0/e...>

Your product:



84-0100.0 Actuator

Loading ...

FRONT

Front dimension:	Ø 25 mm
Front form:	Round
Front bezel colour:	Black
Front bezel material:	Plastic

MOUNTING

Design:	Flush
Mounting cut-out:	Ø 22.5 mm
Mounting type:	Panel mounting

MECHANICAL CHARACTERISTICS

Tightening torque:	Fixing nut 0.8 Nm
Weight:	0.007 kg

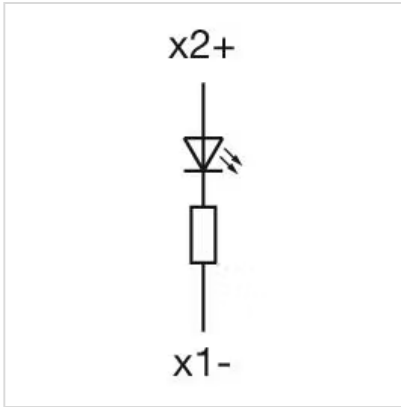
AMBIENT CONDITION

IP front protection:	IP65, IP67
IP Protection:	IP65, IP67
Operating temperature:	- 25 °C ... + 70 °C
Storage temperature:	- 40 °C ... + 85 °C
Climate resistance:	Damp heat, cyclic: 96 hours, + 25 °C/97 %, + 55 °C/93 % relative humidity, as per EN IEC 60068-2-30 Damp heat, steady: 56 days, + 40 °C/93 % relative humidity, according to EN IEC 60068-2-78 Rapid change of temperature: 100 cycles, - 40 °C ... + 80 °C, as per EN / IEC 60068-2-14

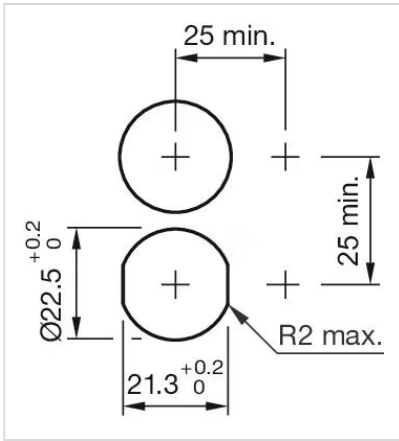
CERTIFICATE

Approbations:	EBC (TSI PRM), NFF
Conformities:	CE, UKCA, 2011 / 65 / EC (RoHS)
REACH:	REACH compliant
RoHS:	RoHS compliant

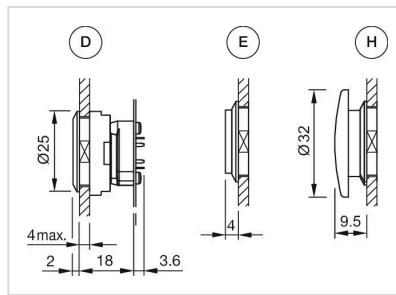
OTHER

Short Description:	Actuator, Ø 22.5 mm, Ø 25 mm, Round, Black, Plastic, IP65, IP67
Hints:	Illuminated lens, non-illuminated bezel
Description component:	Material housing actuator: Plastic as per UL94 V0
Wiring diagrams:	

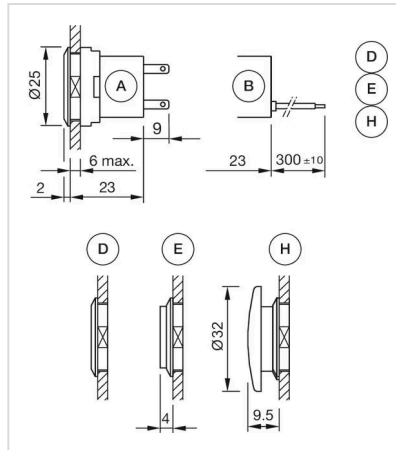
Mounting cut-outs:



Dimension drawings:



- A = Lens level with bezel
- E = Lens raised above bezel
- H = Mushroom-head cap



- A = Plug-in terminal 2.8 mm x 0.8 mm
- B = Flat ribbon cable
- D = Lens level with bezel
- E = Lens raised above bezel
- H = Mushroom-head cap