

Actuator

84-0080.7

Distribution by
DigiKey

DigiKey



<https://digikey.eao.com/p/84-0080.7>

Your product:



84-0080.7 Actuator

FRONT

Front dimension:	Ø 25 mm
Front bezel colour:	Colourless
Front bezel material:	Plastic

MOUNTING

Mounting cut-out:	Ø 22.5 mm
--------------------------	-----------

MECHANICAL CHARACTERISTIC

Weight:	0.006 kg
Tightening torque:	Fixing nut 0.8 Nm

AMBIENT CONDITION

IP front protection:	IP67
IP Protection:	IP67
Operating temperature:	- 25 °C ... + 70 °C
Storage temperature:	- 40 °C ... + 85 °C
Climate resistance:	Damp heat, cyclic: 96 hours, + 25 °C/97 %, + 55 °C/93 % relative humidity, as per EN IEC 60068-2-30 Damp heat, steady: 56 days, + 40 °C/93 % relative humidity, according to EN IEC 60068-2-78 Rapid change of temperature: 100 cycles, - 40 °C ... + 80 °C, as per EN / IEC 60068-2-14

CERTIFICATE

Approbations:	EBC (TSI PRM), NFF
----------------------	--------------------

Conformities:

CE, UKCA, 2011 / 65 / EC (RoHS)

OTHER

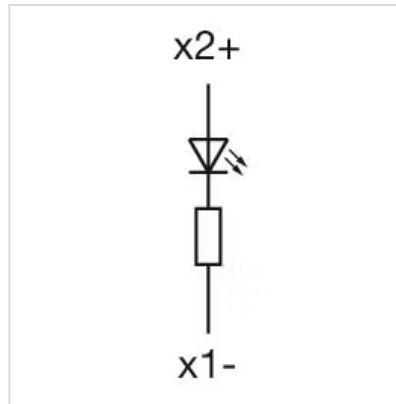
Short Description:

Actuator, Ø 22.5 mm, Ø 25 mm, Colourless, Plastic, transparent, IP67

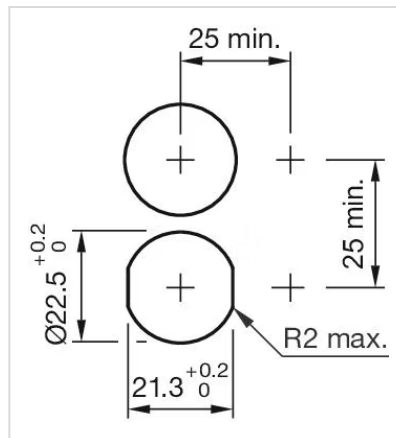
Hints:

The mini TOP LEDs are not part of delivery. Recommendation: Osram Hyper Mini TOP LED

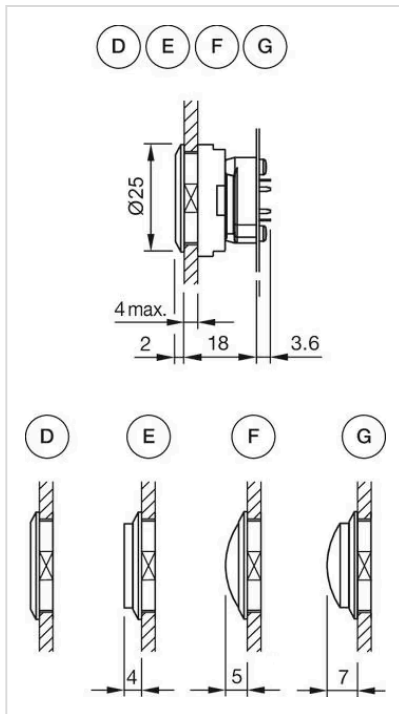
Wiring diagrams:



Mounting cut-outs:



Dimension drawings:



D = Lens level with bezel

E = Lens raised above bezel

F = Lens konvexe level with bezel

G = Lens konvexe raised above bezel