

Push button, Ø 22 mm, stainless steel 316L,
cable 200 mm, 180°

Distribution by
DigiKey

DigiKey

82-6655.1000



<https://digikey.eao.com/component/82-6655.100...>

Your product:



82-6655.1000

Push button, Ø 22 mm, stainless steel 316L, cable 200 mm, 180°

Loading . . .

FRONT

Front dimension:	Ø 25 mm
Front form:	Round
Front bezel material:	Stainless steel 316L
Front bezel shape:	Flush

MOUNTING

Mounting cut-out:	Ø 22 mm
Mounting type:	Panel mounting

OPERATING-/INDICATION PART

Lens colour:	Silver
Lens material:	Stainless steel 316L
Lens illumination:	Non illuminated
Lens shape:	Flush
Lens optics:	opaque

ELECTRICAL CHARACTERISTICS

Switching voltage and switching current:	according to UL 508 (Silver contacts)	
	cosφ 0,75 ... 0,8	
	Voltage	Current
	120 VAC	5 A
	240 VAC	3 A
	24 VAC	1 A

according to IEC 60947-5-1 (Silver contacts)

Service categorie AC-15

Voltage

24 VAC

35 VAC

110 VAC

220 VAC

Switch rating DC service categorie DC-13 (Silver contacts)

Voltage

24 VDC

35 VDC

110 VDC

220 VDC

Current

1 A

1 A (M12 version)

1 A

0.5 A

Current

0.7 A

0.5 A (M12 version)

0.2 A

0.1 A

Rated Operational Voltage U_e:	250 VAC
Rated insulation voltage U_i:	250 V
Switching rating:	35 V AC/DC @ 0,6 A
Electrical lifetime:	50 000 cycles of operation
Electric strength:	1500 VAC, 50 Hz 1 minute between life terminals and ground
Pollution degree:	2, according to EN IEC 60947-1
Thermal current I_{th}:	5 A

MECHANICAL CHARACTERISTICS

Terminal:	Cable 200 mm, 180°
Switching action:	Momentary
Switching system:	Snap-action switching element
Mechanical lifetime:	1 Mil. cycles of operation
Operating force:	4 N ... 7 N
Operating Travel:	ca. 3 mm
Tightening torque:	0.5 ... 0.6 Nm
Weight:	0.04 kg

AMBIENT CONDITION

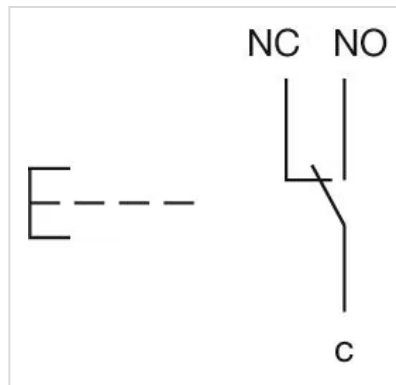
IP front protection:	IP65, IP67
Operating temperature:	- 30 °C ... + 70 °C
Storage temperature:	- 40 °C ... + 80 °C
Shock resistance:	Max. 500 m / s ² as per IEC 60068-2-27
Vibration resistance:	10 ... 500 Hz, amplitude 1.5 mm p-p according to IEC 60068-2-6
Climate resistance:	Damp heat, 21 days according to IEC 60512-11

CERTIFICATE

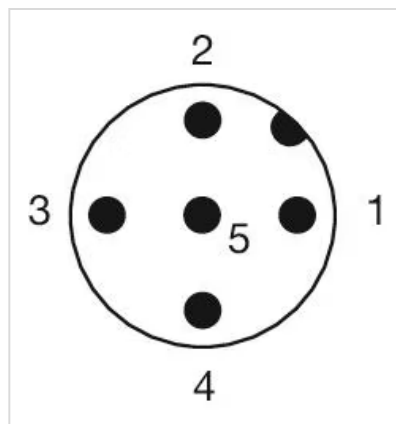
Conformities:	CE, 2011 / 65 / EC (RoHS), 2014 / 35 / EU (LVD)
REACH:	REACH compliant
RoHS:	RoHS compliant

OTHER

Short Description:	Push button, Ø 22 mm, stainless steel 316L, cable 200 mm, 180°, Momentary, 35 V AC/DC @ 0,6 A, Cable 200 mm, 180°, Round, Stainless steel 316L, Silver
Housing size:	19 mm
Hints:	Cable with certification ECE-R118
Wiring diagrams:	



Component layouts:



1 = NC
2 = LED+
3 = Common
4 = LED-
5 = NO
A-Coded

Mounting cut-outs:



Dimension drawings:

