

# Actuator

71-600.0

Distribution by  
DigiKey

**DigiKey**



<https://digikey.eao.com/component/71-600.0/en...>

Your product:

---



## 71-600.0 Actuator

*Loading ...*

### **MOUNTING**

**Mounting type:** Panel mounting

### **MECHANICAL CHARACTERISTICS**

**Weight:** 0.004 kg

### **AMBIENT CONDITION**

**IP Protection:** IP65 front side

**Operating temperature:** – 25 °C ... + 55 °C

### **CERTIFICATE**

**REACH:** REACH compliant

**RoHS:** RoHS compliant

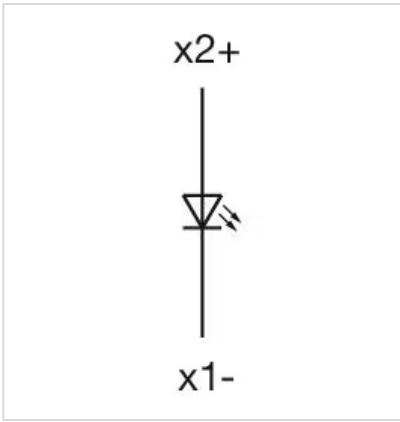
### **OTHER**

**Short Description:** Actuator

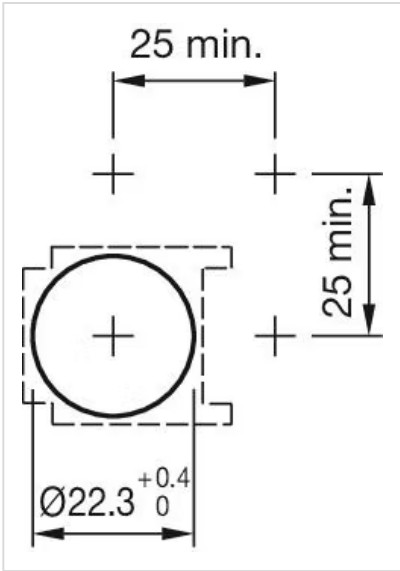
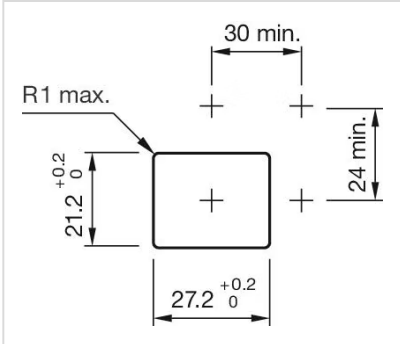
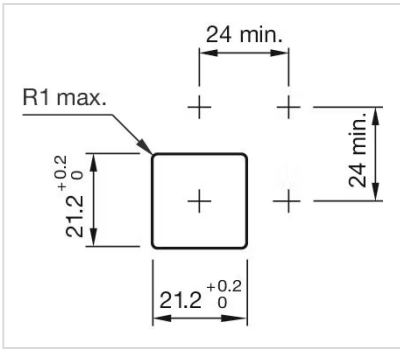
**Material:** Plastic

**Hints:** Pitch of the front plate mounting holes must agree with the printed circuit board holes Ø 3.5 mm

**Wiring diagrams:**



**Mounting cut-outs:**



Dimension drawings:

