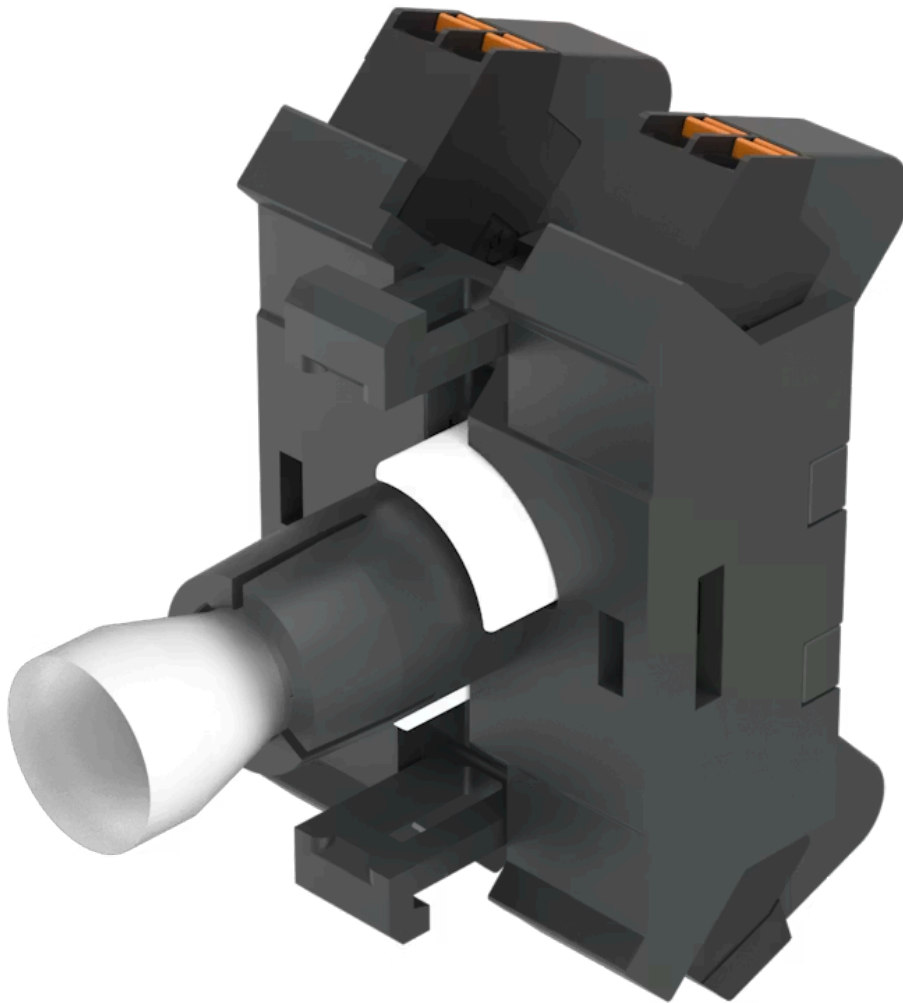


# Lamp block

704.952.159.3

Distribution by  
DigiKey

**DigiKey**



<https://digikey.eao.com/component/704.952.159...>

Your product:

---



## 704.952.159.3 Lamp block

*Loading ...*

### OPERATING-/INDICATION PART

**Illumination colour:** White / White

### ELECTRICAL CHARACTERISTICS

**Operating voltage:** 110 V AC/DC (-30% / +25%)

**Operation current:** 8 mA

### MECHANICAL CHARACTERISTICS

**Terminal:** Push-in terminal

**Wire cross section:** Max. wire cross-section 2 wires with 1 mm  
Skinning wire 8 mm  
Max. wire cross-section of stranded cable 2 x 0.75 mm<sup>2</sup>  
use stranded wires only with wire end ferrules of 8 mm length  
Only one polarity is allowed on each side when wiring.

**Weight:** 0.014 kg

### AMBIENT CONDITION

**IP Protection:** IP20

**Operating temperature:** - 40 °C ... + 55 °C

**Storage temperature:** - 40 °C ... + 85 °C

**Shock resistance:** Max. 500 m/s<sup>2</sup>, pulse width 11 ms (sinusoidal DIN EN 60068-2-27)

**Climate resistance:** Relative humidity, max. 95%, non-condensing

### CERTIFICATE

**Approbations:** EN 45545, UL-94 V0

**REACH:**

REACH compliant

**RoHS:**

RoHS compliant

**OTHER**

**Short Description:**

Lamp block, Plastic, Push-in terminal

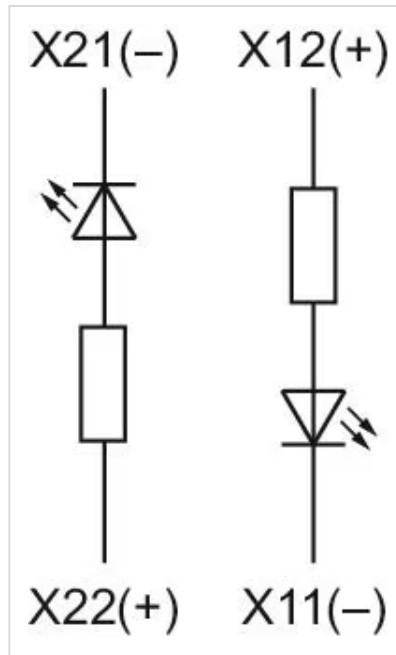
**Housing material:**

Plastic

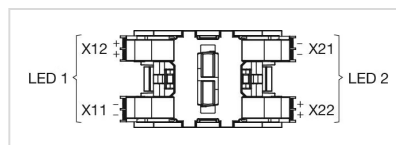
**Hints:**

When using the lamp block, the application guidelines must be observed.

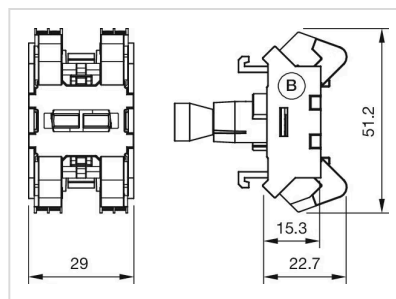
**Wiring diagrams:**



**Component layouts:**



**Dimension drawings:**



B = Push-in terminal (PIT)