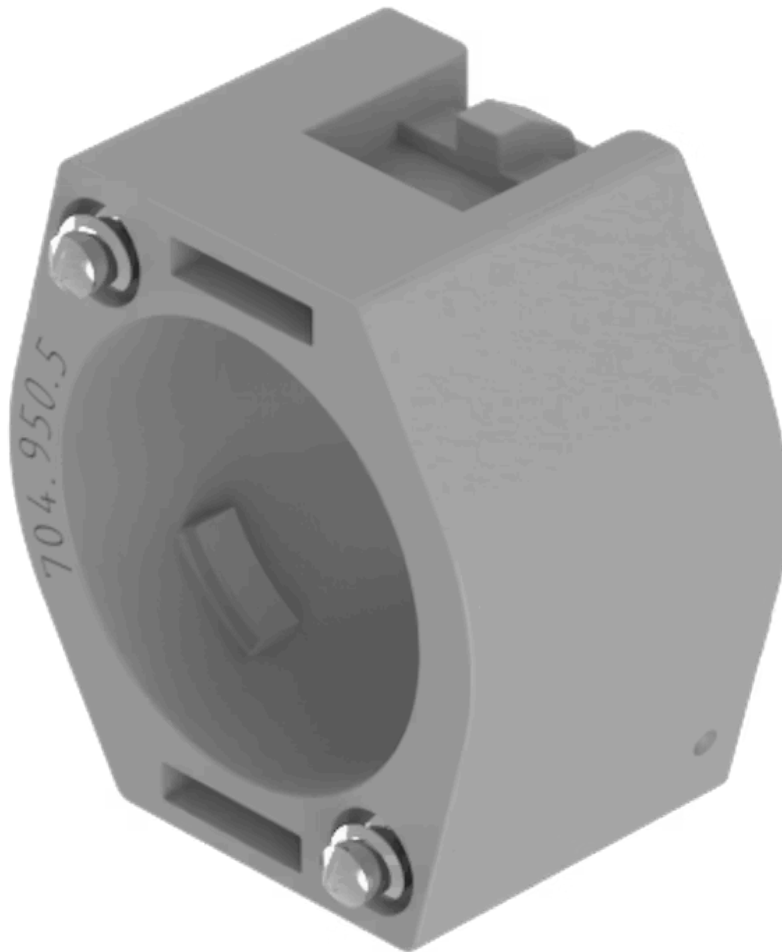


Bayonet flange

704.950.5

Distribution by
DigiKey

DigiKey



<https://digikey.eao.com/component/704.950.5/e...>

Your product:



704.950.5 Bayonet flange

Loading ...

MOUNTING

Mounting type: Panel mounting

MECHANICAL CHARACTERISTICS

Tightening torque: Max. 0.40 ... 0.50 Nm

Weight: 0.01 kg

CERTIFICATE

REACH: REACH compliant

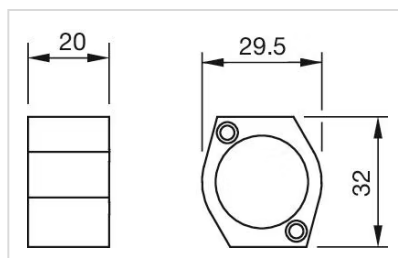
RoHS: RoHS compliant

OTHER

Short Description: Bayonet flange, Plastic

Material: Plastic

Dimension drawings:



for Part No. 704.950.5