

# Flasher element

704.943.2P

Distribution by  
DigiKey

**DigiKey**



<https://digikey.eao.com/p/704.943.2P>

Your product:



## 704.943.2P Flasher element

### ELECTRICAL CHARACTERISTICS

<b>Operation current:</b>	3 mA
<b>Operating voltage:</b>	130 V AC/DC +10%

### MECHANICAL CHARATERISTIC

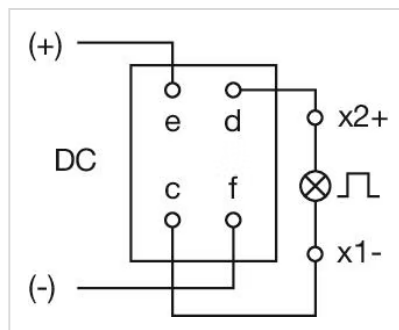
<b>Weight:</b>	0.021 kg
<b>Terminal:</b>	Push-in terminal

### AMBIENT CONDITION

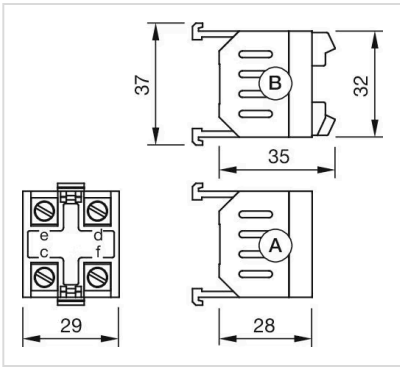
<b>IP Protection:</b>	IP30 rear side
<b>Operating temperature:</b>	0 °C ... + 50 °C

### OTHER

<b>Housing material:</b>	Plastic, according to UL 94 V0
<b>Short Description:</b>	Flasher element, 130 V AC/DC +10%, Push-in terminal
<b>Wiring diagrams:</b>	



**Dimension drawings:**



A = Screw terminal  
Push-in terminal (PIT)