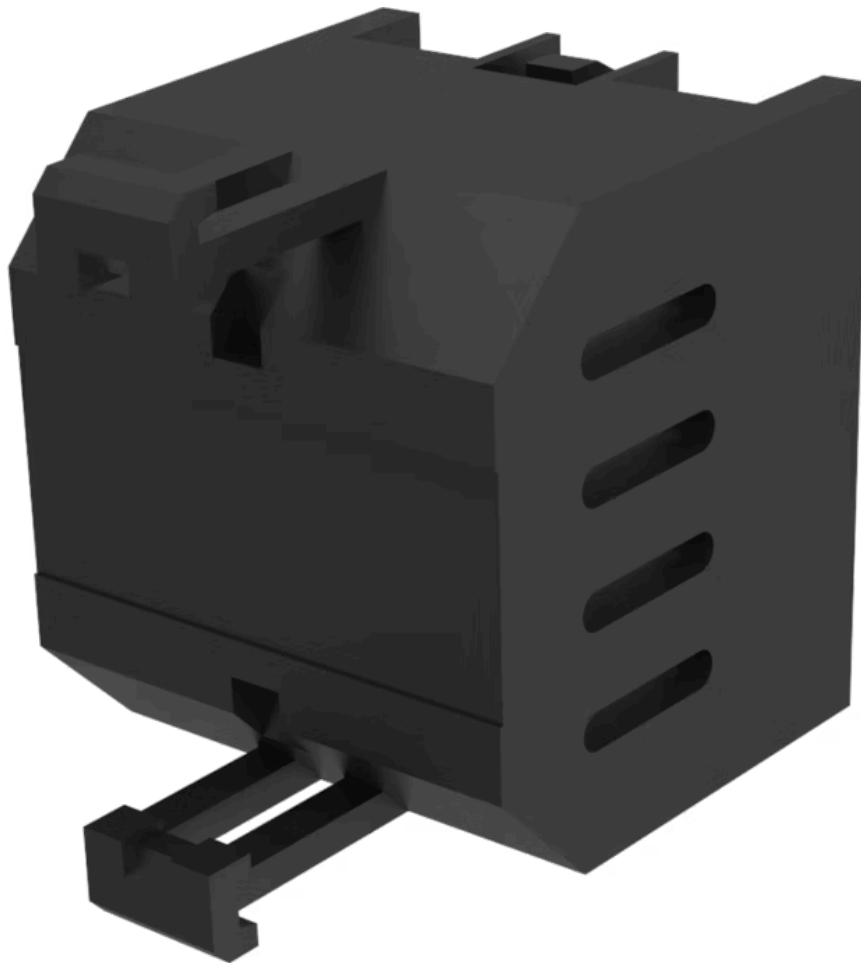


# Diode block 1N4007

704.942.5P

Distribution by  
DigiKey

**DigiKey**



<https://digikey.eao.com/p/704.942.5P>

Your product:



## 704.942.5P Diode block 1N4007

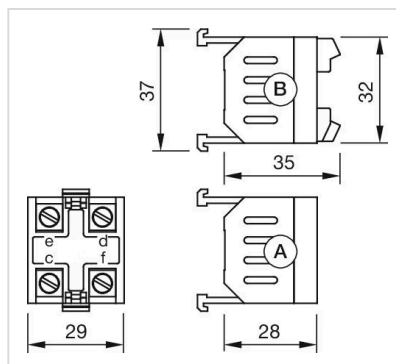
### MECHANICAL CHARACTERISTIC

**Weight:** 0.016 kg  
**Terminal:** Push-in terminal

### OTHER

**Titel Accessory:** Diode block 1N4007  
**Short Description:** Diode block 1N4007, Push-in terminal

### Dimension drawings:



A = Screw terminal  
Push-in terminal (PIT)

### Wiring diagrams:

