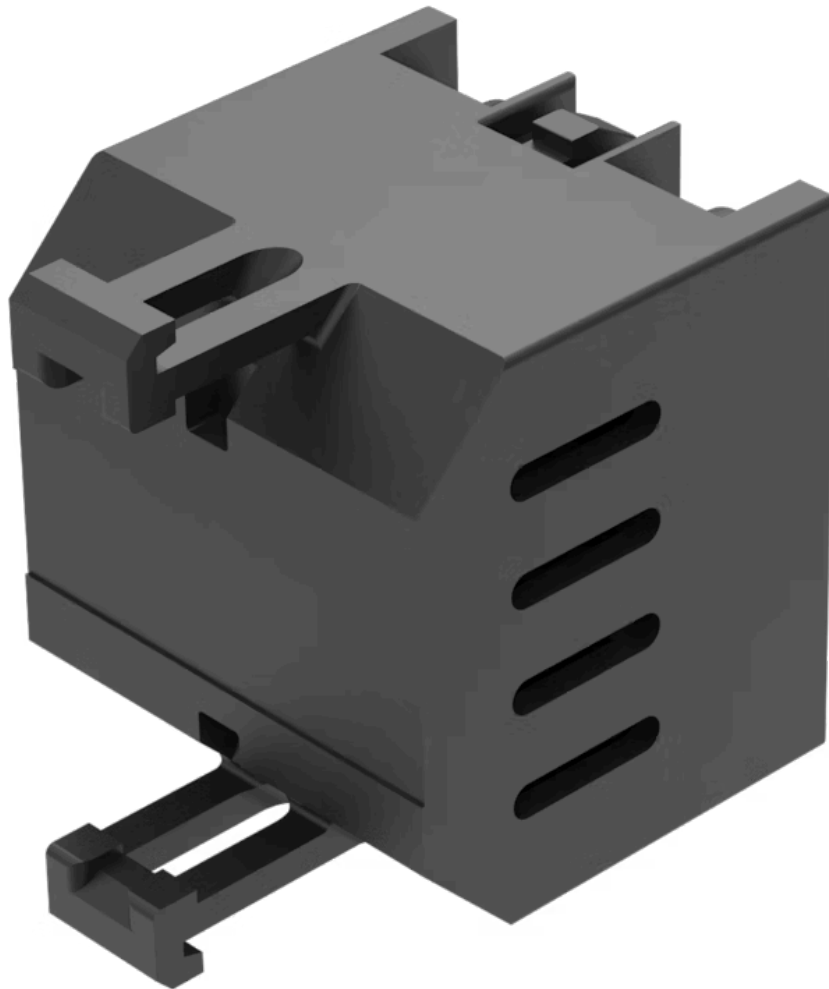


# Resistor-diode element

704.941.9

Distribution by  
DigiKey

**DigiKey**



<https://digikey.eao.com/p/704.941.9>

Your product:



## 704.941.9 Resistor-diode element

### ELECTRICAL CHARACTERISTICS

**Operating voltage:** 130 - 230 V AC

### MECHANICAL CHARACTERISTIC

**Weight:** 0.017 kg

**Terminal:** Screw terminal

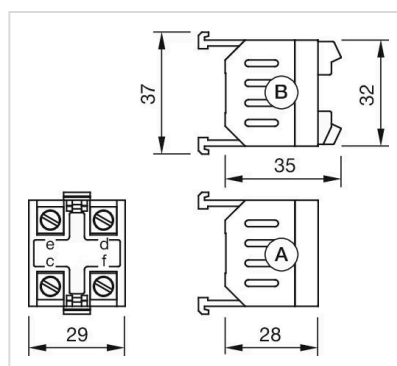
### OTHER

**Material:** Plastic

**Short Description:** Resistor-diode element, Plastic, Screw terminal, 130 - 230 V AC

**Titel Accessory:** Resistor-diode element

### Dimension drawings:



A = Screw terminal  
Push-in terminal (PIT)

### Wiring diagrams:

