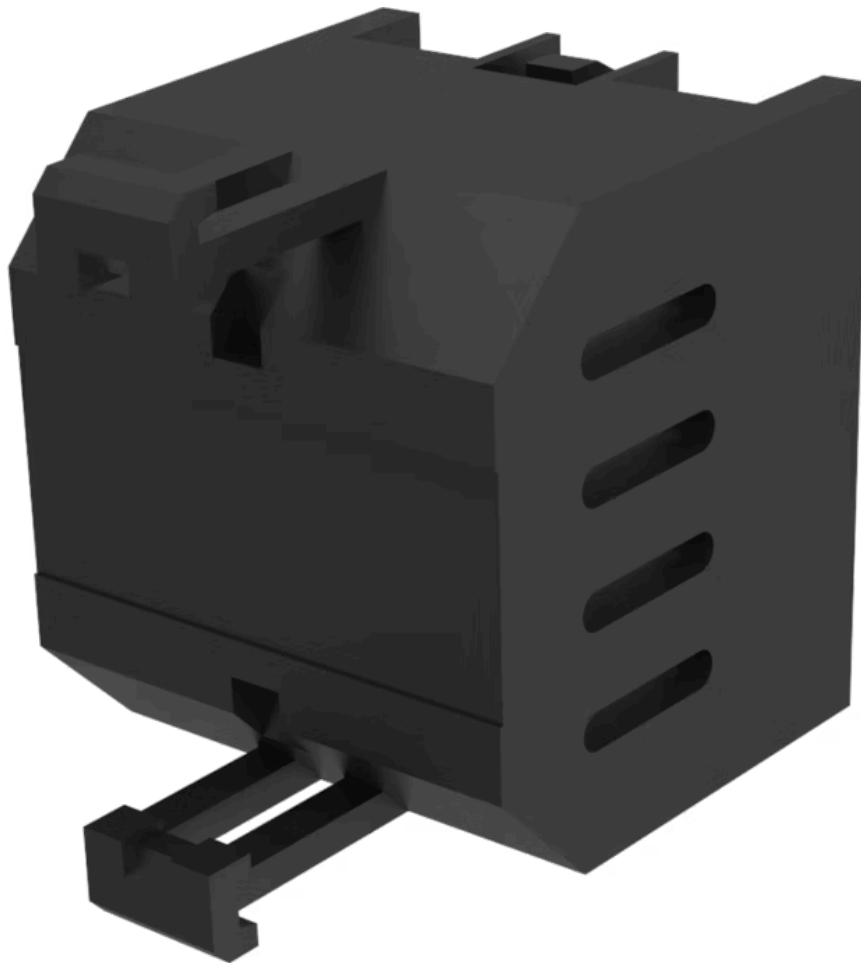


# Resistor block

704.941.5

Distribution by  
DigiKey

**DigiKey**



<https://digikey.eao.com/p/704.941.5>

Your product:



## 704.941.5 Resistor block

### ELECTRICAL CHARACTERISTICS

**Operating voltage:** 33 - 60 V AC

### MECHANICAL CHARACTERISTIC

**Terminal:** Screw terminal

**Weight:** 0.017 kg

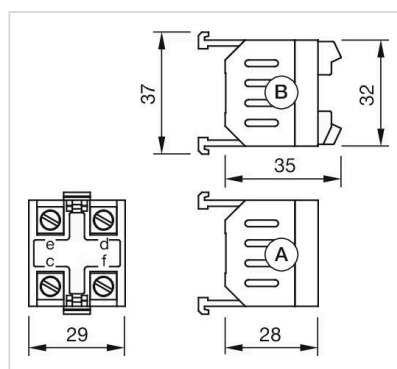
### OTHER

**Material:** Plastic

**Titel Accessory:** Resistor block

**Short Description:** Resistor block, Plastic, Screw terminal, 33 - 60 V AC

### Dimension drawings:



A = Screw terminal  
Push-in terminal (PIT)

### Wiring diagrams:

