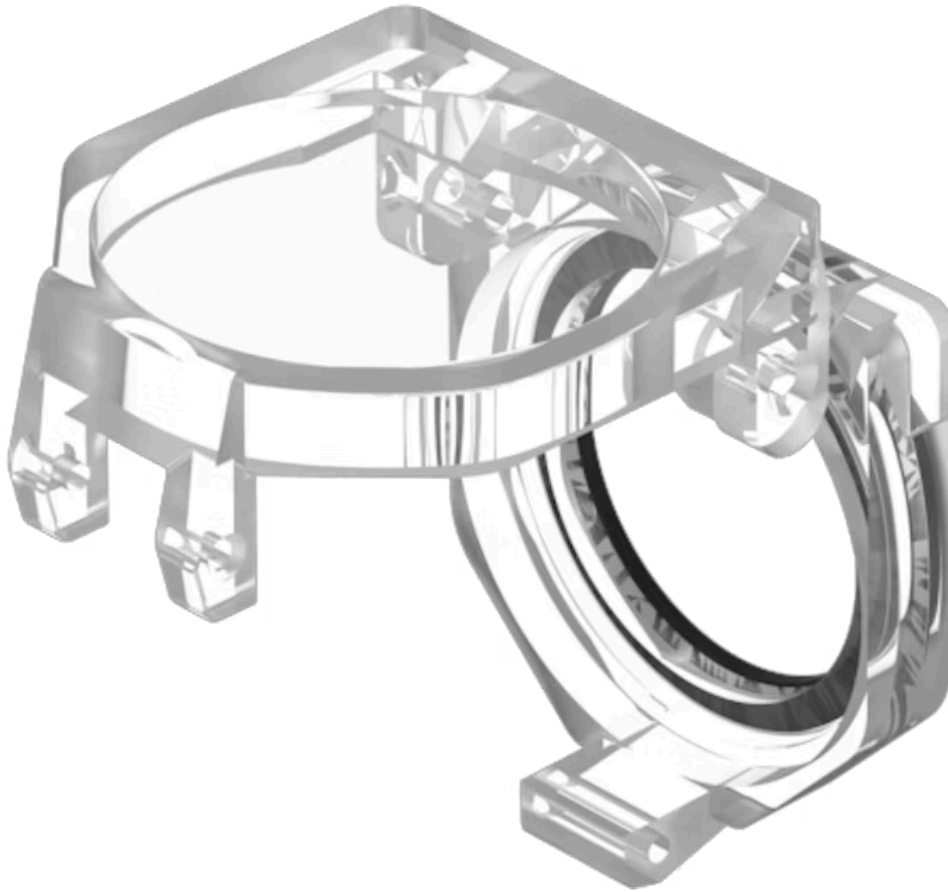


Protection cover

704.925.3

Distribution by
DigiKey

DigiKey



<https://digkey.eao.com/component/704.925.3/e...>

Your product:



704.925.3 Protection cover

Loading ...

ELECTRICAL CHARACTERISTICS

Forward voltage:

MECHANICAL CHARACTERISTICS

Weight: 0.007 kg

OTHER

Short Description: Protection cover, Plastic, transparent

Titel Accessory: Protection cover

Material: Plastic

Product attributes: For pushbutton, with spring fitted

Hints: Hinged, with means for sealing

Optics: transparent

Dimension drawings:

