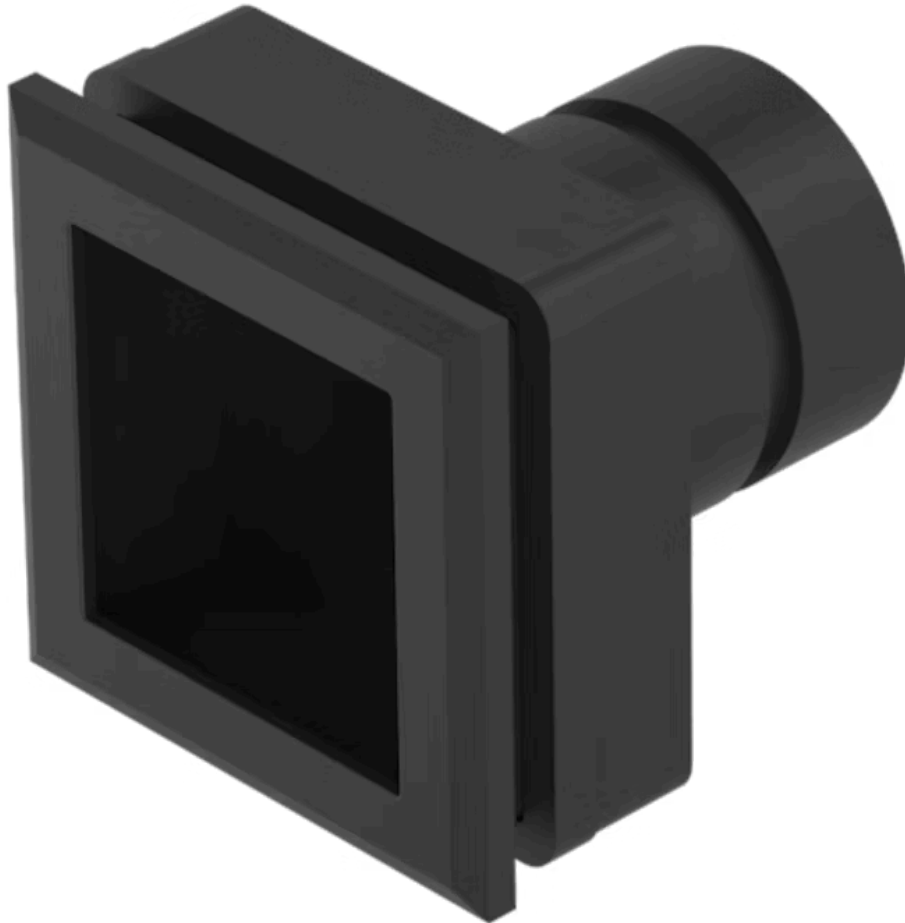


Actuator

704.742.0

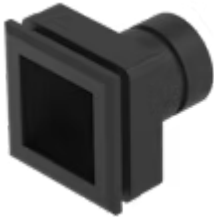
Distribution by
DigiKey

DigiKey



<https://digikey.eao.com/p/704.742.0>

Your product:



704.742.0 Actuator

FRONT

Front form:	square
Front bezel colour:	Black
Front dimension:	35 mm x 35 mm
Front bezel material:	Plastic

MOUNTING

Design:	flush
Mounting cut-out:	30 mm x 30 mm

OPERATING-/INDICATION PART

Lens illumination:	illuminative
---------------------------	--------------

ELECTRICAL CHARACTERISTICS

Standards:	The switches comply with the "Standards for low-voltage switching devices" DIN EN 60947-1
-------------------	---

MECHANICAL CHARACTERISTIC

Operating force:	6.2 N
Operating Travel:	ca. 5.8 mm ± 0.2 mm
Switching action:	Maintained
Mechanical lifetime:	≤3 Mio. cycles of operation
Weight:	0.02 kg

AMBIENT CONDITION

Operating temperature: - 40 °C ... + 55 °C
Storage temperature: - 40 °C ... + 85 °C
IP Protection: IP65 front side

OTHER

Short Description: Actuator, 30 mm x 30 mm, 35 mm x 35 mm, illuminative, square, Black, Plastic, Maintained

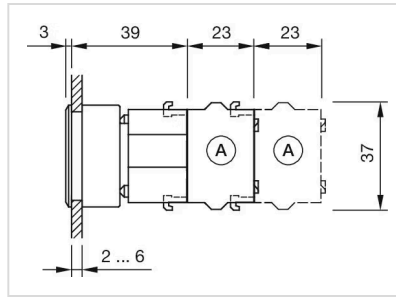
max. number of switching elements: 3

Housing material: Plastic

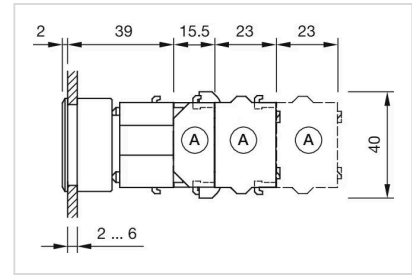
Housing colour: Black

Hints: Max. 3 switching elements can be clipped on

Dimension drawings:

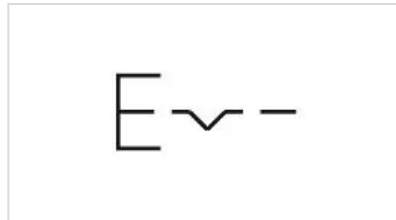


A = Screw terminal

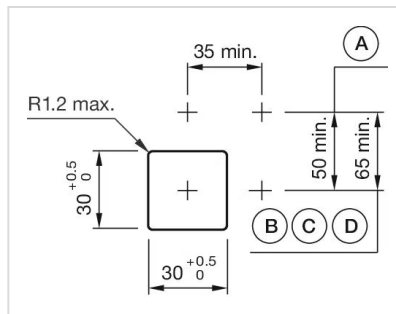


A = Screw terminal

Wiring diagrams:



Mounting cut-outs:



A = Screw terminal
 B = Push-in terminal (PIT)
 C = Plug-in terminal 6.3 mm x 0.8 mm
 D = Double plug-in terminal 6.