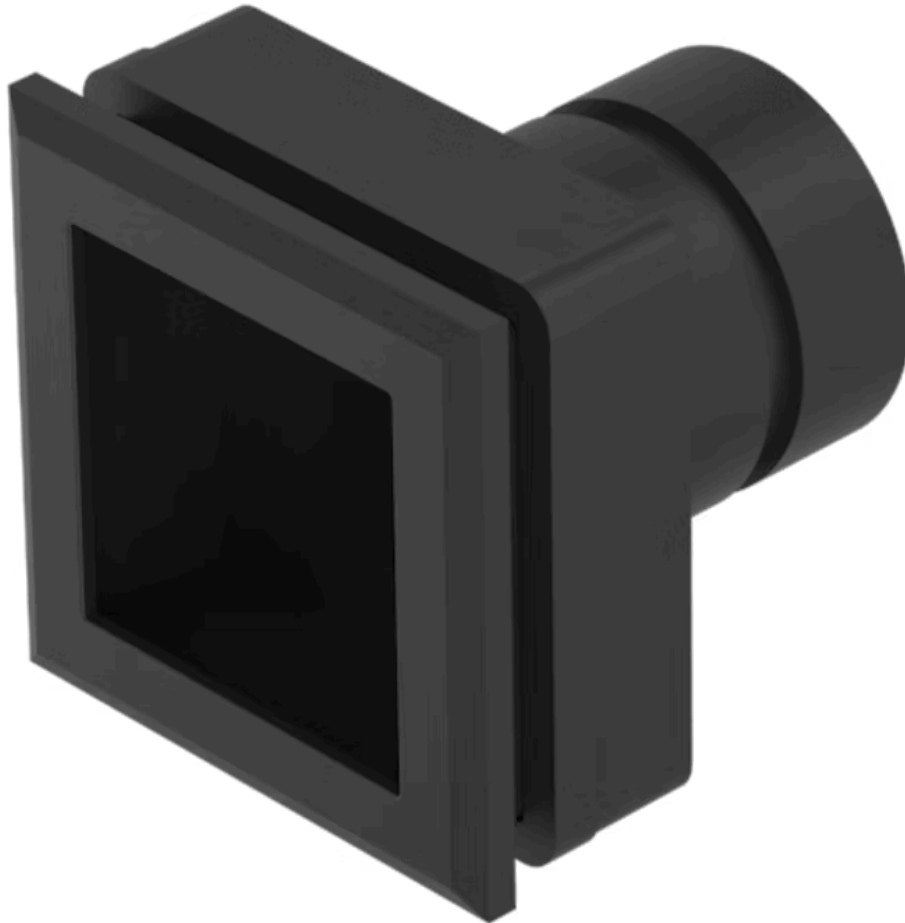


Actuator

704.741.0

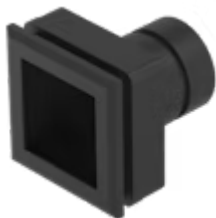
Distribution by
DigiKey

DigiKey



<https://digikey.eao.com/p/704.741.0>

Your product:



704.741.0 Actuator

FRONT

Front bezel colour:	Black
Front dimension:	35 mm x 35 mm
Front bezel material:	Plastic
Front form:	square

MOUNTING

Design:	flush
Mounting cut-out:	30 mm x 30 mm

OPERATING-/INDICATION PART

Lens illumination:	illuminative
---------------------------	--------------

ELECTRICAL CHARACTERISTICS

Standards:	The switches comply with the "Standards for low-voltage switching devices" DIN EN 60947-1
-------------------	---

MECHANICAL CHARACTERISTIC

Mechanical lifetime:	≤3 Mio. cycles of operation
Operating force:	6.2 N
Weight:	0.02 kg
Switching action:	Momentary
Operating Travel:	ca. 5.8 mm ± 0.2 mm

AMBIENT CONDITION

Operating temperature: - 40 °C ... + 55 °C

Storage temperature: - 40 °C ... + 85 °C

IP Protection: IP65 front side

OTHER

Housing material: Plastic

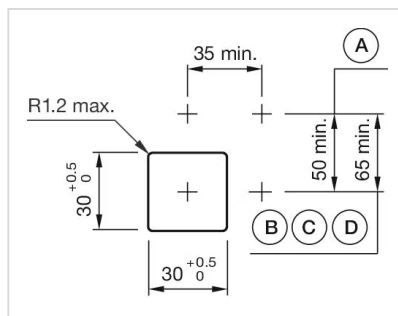
max. number of switching elements: 3

Hints: Max. 3 switching elements can be clipped on

Short Description: Actuator, 30 mm x 30 mm, 35 mm x 35 mm, illuminative, square, Black, Plastic, Momentary

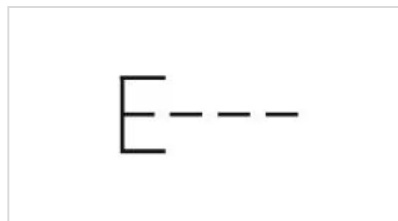
Housing colour: Black

Mounting cut-outs:

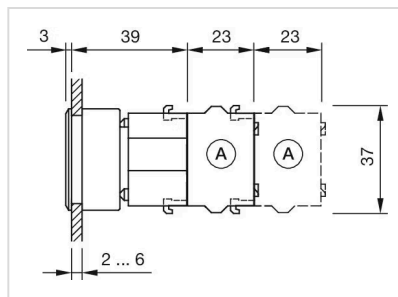


- A = Screw terminal
- B = Push-in terminal (PIT)
- C = Plug-in terminal 6.3 mm x 0.8 mm
- D = Double plug-in terminal 6.

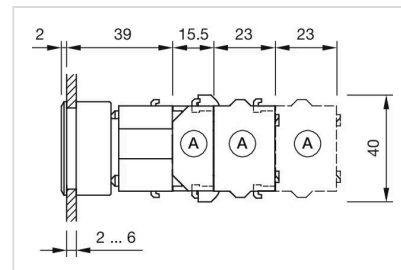
Wiring diagrams:



Dimension drawings:



A = Screw terminal



A = Screw terminal