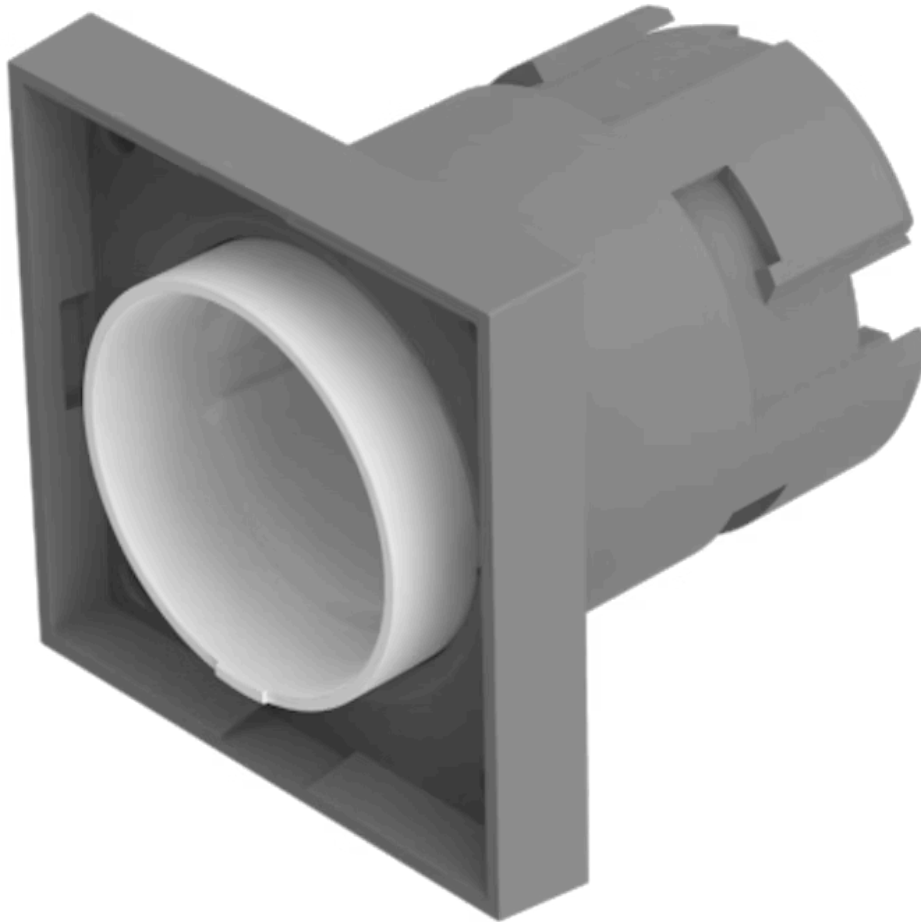


Actuator

704.733.1

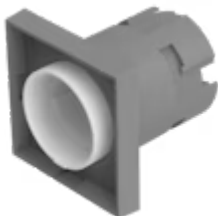
Distribution by
DigiKey

DigiKey



<https://digikey.eao.com/p/704.733.1>

Your product:



704.733.1 Actuator

FRONT

Front dimension: 30 mm x 30 mm

MOUNTING

Design: raised

ELECTRICAL CHARACTERISTICS

Standards: The switches comply with the "Standards for low-voltage switching devices" DIN EN 60947-1

MECHANICAL CHARACTERISTIC

Weight: 0.009 kg

AMBIENT CONDITION

Operating temperature: - 40 °C ... + 55 °C

Storage temperature: - 40 °C ... + 85 °C

IP Protection: IP65 front side

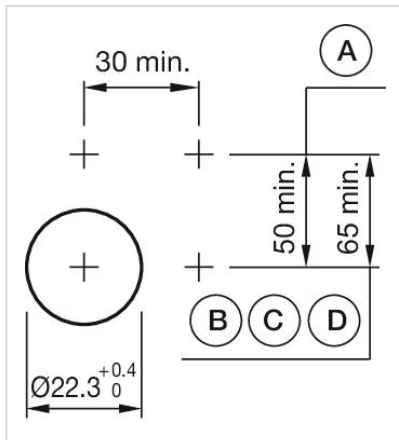
OTHER

Housing material: Plastic

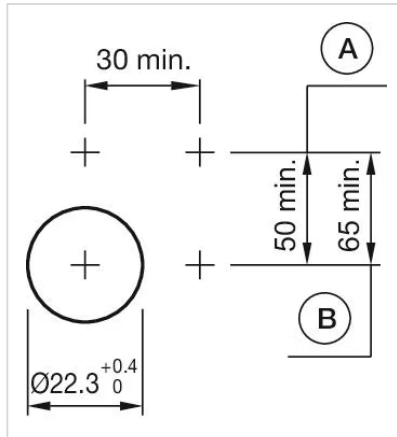
Short Description: Actuator, 30 mm x 30 mm

Housing colour: Grey

Mounting cut-outs:

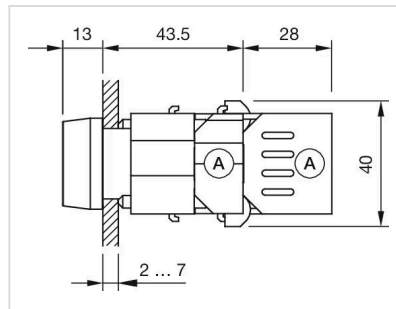


A = Screw terminal
 B = Push-in terminal (PIT)
 C = Plug-in terminal 6.3 mm x 0.8 mm
 D = Double plug-in terminal 6.

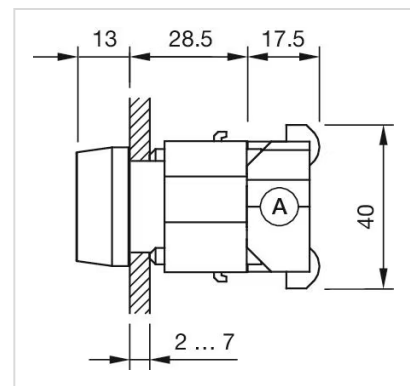


A = Screw terminal
 B = Push-in terminal (PIT)

Dimension drawings:



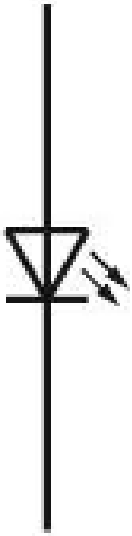
X = Screw terminal



A = Screw terminal

Wiring diagrams:

x_2+



x_1-