

# Actuator

704.733.0

Distribution by  
DigiKey

**DigiKey**



<https://digkey.eao.com/component/704.733.0/e...>

Your product:

---



## 704.733.0 Actuator

*Loading ...*

### FRONT

**Front dimension:** 30 mm x 30 mm

**Front form:** Square

### MOUNTING

**Design:** Raised

**Mounting type:** Panel mounting

### ELECTRICAL CHARACTERISTICS

**Standards:** The switches comply with the "Standards for low-voltage switching devices" DIN EN 60947-1

### MECHANICAL CHARACTERISTICS

**Weight:** 0.008 kg

### AMBIENT CONDITION

**IP Protection:** IP65 front side

**Operating temperature:** - 40 °C ... + 55 °C

**Storage temperature:** - 40 °C ... + 85 °C

### CERTIFICATE

**REACH:** REACH compliant

**RoHS:** RoHS compliant

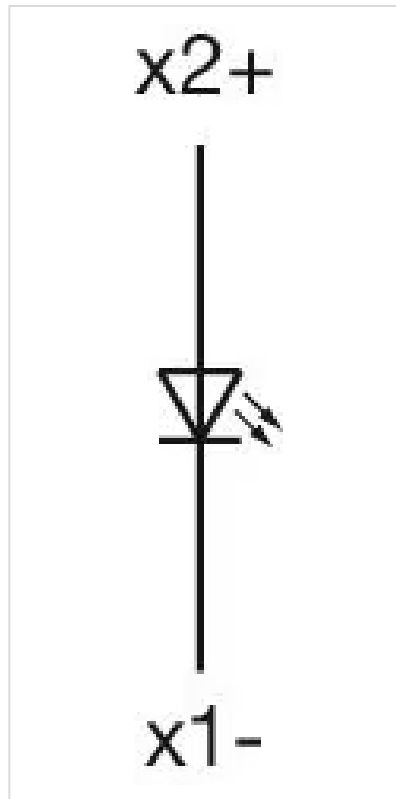
**OTHER**

**Short Description:** Actuator, 30 mm x 30 mm, Square

**Housing colour:** Black

**Housing material:** Plastic

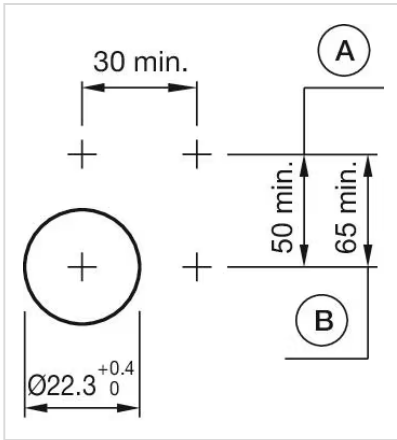
**Wiring diagrams:**



**Mounting cut-outs:**



- A = Screw terminal
- B = Push-in terminal (PIT)
- C = Plug-in terminal 6.3 mm x 0.8 mm
- D = Double plug-in terminal 6.3 mm x 0.8 mm

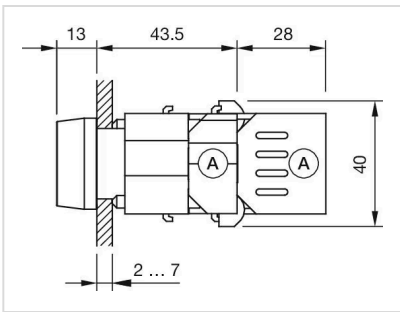


- A = Screw terminal
- B = Push-in terminal (PIT)

**Dimension drawings:**



A = Screw terminal



X = Screw terminal