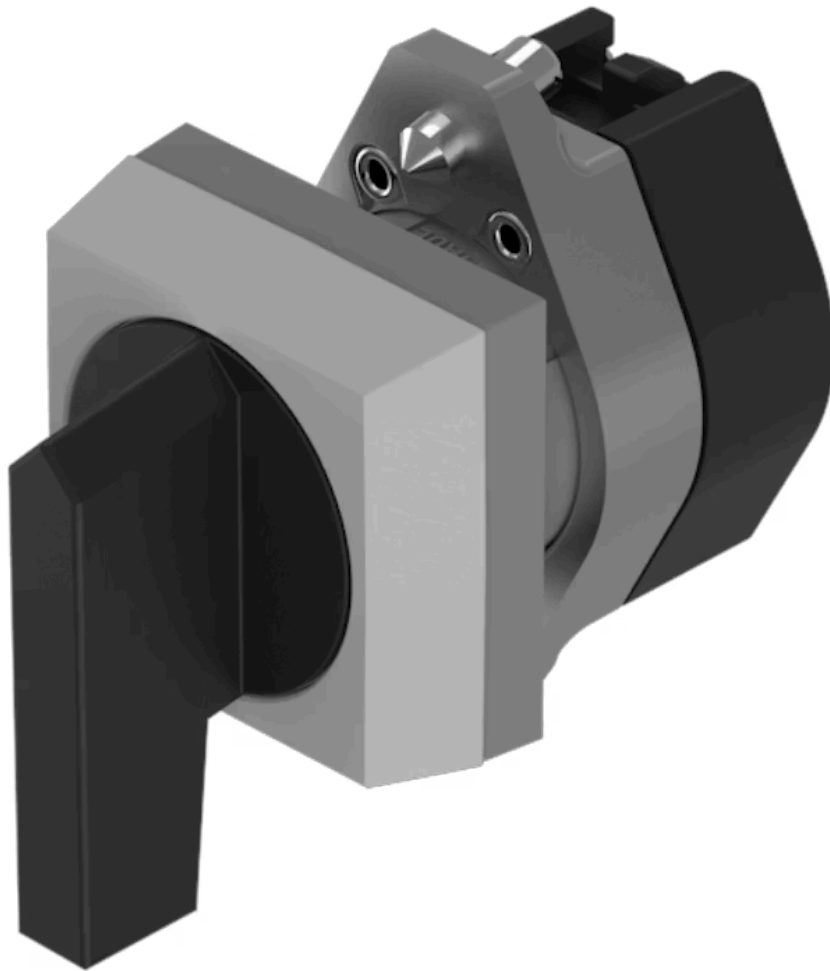


# Actuator

704.300.1KN

Distribution by  
DigiKey

**DigiKey**



<https://digikey.eao.com/component/704.300.1KN...>

Your product:

---



## 704.300.1KN Actuator

*Loading ...*

### FRONT

<b>Front dimension:</b>	30 mm x 30 mm
<b>Front form:</b>	Square
<b>Front bezel colour:</b>	Grey
<b>Front bezel material:</b>	Plastic

### MOUNTING

<b>Design:</b>	Raised
<b>Mounting type:</b>	Panel mounting

### OPERATING-/INDICATION PART

<b>Lever colour:</b>	Black
<b>Lever bar colour:</b>	Black
<b>Lever material:</b>	plastic
<b>Lever shape:</b>	long

### MECHANICAL CHARACTERISTICS

<b>Weight:</b>	0.023 kg
----------------	----------

### CERTIFICATE

<b>REACH:</b>	REACH compliant
<b>RoHS:</b>	RoHS compliant

**OTHER**

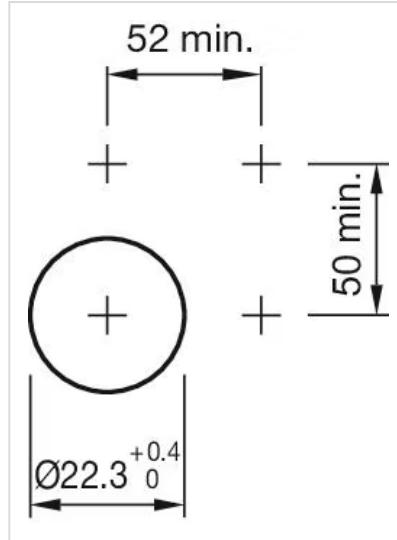
**Short Description:**

Actuator, 30 mm x 30 mm, non illuminative, Black, long, Square, Grey, Plastic

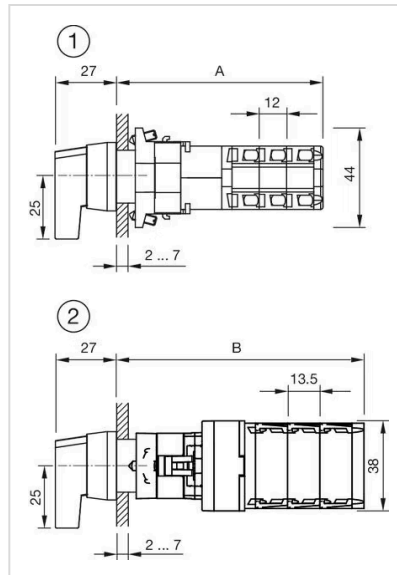
**max. number of switching elements:**

1

**Mounting cut-outs:**



**Dimension drawings:**



- 1 = Kraus & Naimer switching element
- A = (Number of stages x 12) + 54.5 mm
- 2 = Santon switching element
- B = (Number of stages x 13.5) + 54.5 mm