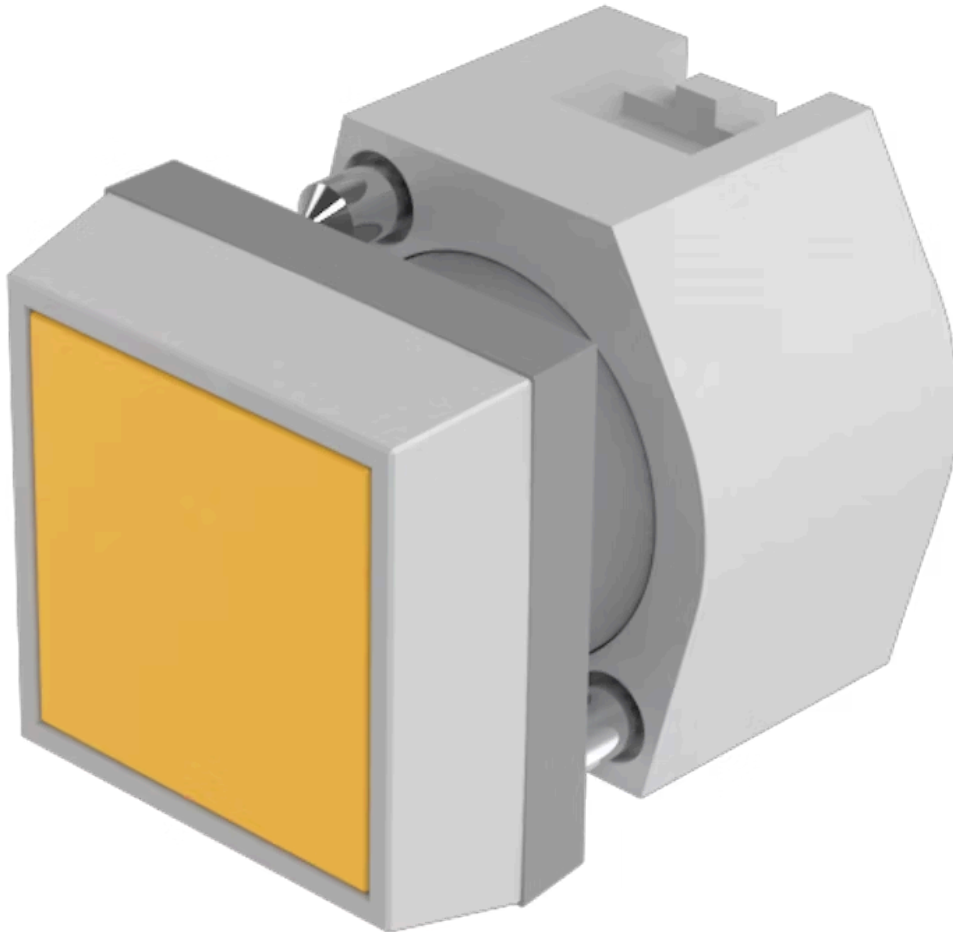


Actuator

704.210.4

Distribution by
DigiKey

DigiKey



<https://digikey.eao.com/p/704.210.4>

Your product:



704.210.4 Actuator

FRONT

Front bezel material:	Plastic
Front form:	square
Front bezel colour:	Grey
Front dimension:	30 mm x 30 mm

MOUNTING

Design:	raised
----------------	--------

OPERATING-/INDICATION PART

Lens material:	Plastic
Lens colour:	Yellow
Lens illumination:	non illuminative
Lens shape:	flush
Lens optics:	transparent

ELECTRICAL CHARACTERISTICS

Standards:	The switches comply with the "Standards for low-voltage switching devices" DIN EN 60947-1
-------------------	---

MECHANICAL CHARACTERISTIC

Weight:	0.04 kg
Switching action:	Momentary
Mechanical lifetime:	≤3 Mio. cycles of operation

Operating force: 6.2 N

Operating Travel: ca. 5.8 mm ± 0.2 mm

AMBIENT CONDITION

Operating temperature: - 40 °C ... + 55 °C

IP Protection: IP65 front side

Storage temperature: - 40 °C ... + 85 °C

OTHER

max. number of switching elements: 3

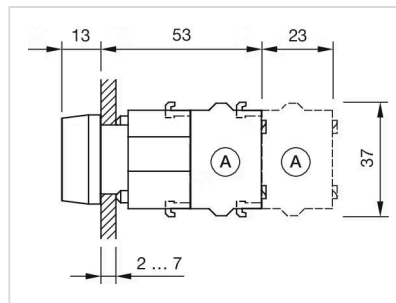
Short Description: Actuator, 30 mm x 30 mm, flush, non illuminative, Yellow, Plastic, transparent, square, Grey, Plastic, Momentary

Housing material: Plastic

Hints: Frontring with protective cover to be mounted with a torque of 0.4 Nm onto actuator,Max. 3 switching elements can be clipped on

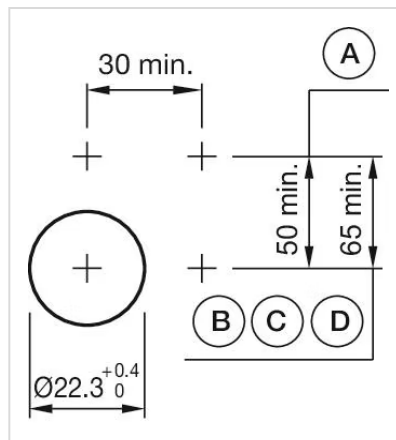
Housing colour: Black

Dimension drawings:



A = Screw terminal

Mounting cut-outs:



A = Screw terminal
 B = Push-in terminal (PIT)
 C = Plug-in terminal 6.3 mm x 0.8 mm
 D = Double plug-in terminal 6.3 mm x 0.8 mm

Wiring diagrams:

E---