

Actuator

704.207.5

Distribution by
DigiKey

DigiKey



<https://digikey.eao.com/p/704.207.5>

Your product:



704.207.5 Actuator

FRONT

Front bezel colour:	Black
Front form:	square
Front bezel material:	Plastic
Front dimension:	30 mm x 30 mm

MOUNTING

Design:	raised
----------------	--------

OPERATING-/INDICATION PART

Lens shape:	flush
Lens colour:	Green
Lens material:	Plastic
Lens optics:	transparent
Marking plate illumination:	illuminative
Marking plate optics:	transparent
Marking plate colour:	Colourless

ELECTRICAL CHARACTERISTICS

Standards:	The switches comply with the "Standards for low-voltage switching devices" DIN EN 60947-1
-------------------	---

MECHANICAL CHARACTERISTIC

Weight:	0.05 kg
----------------	---------

Terminal: Screw terminal

AMBIENT CONDITION

Operating temperature: - 40 °C ... + 55 °C

Storage temperature: - 40 °C ... + 85 °C

IP Protection: IP65 front side

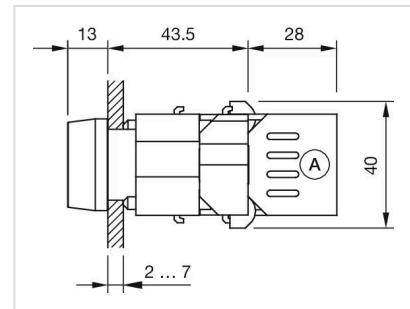
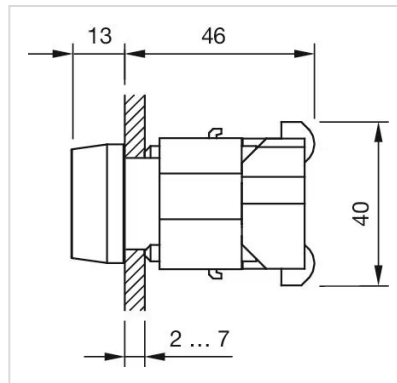
OTHER

Short Description: Actuator, 30 mm x 30 mm, flush, Green, Plastic, transparent, square, Black, Plastic, Screw terminal

Housing material: Plastic

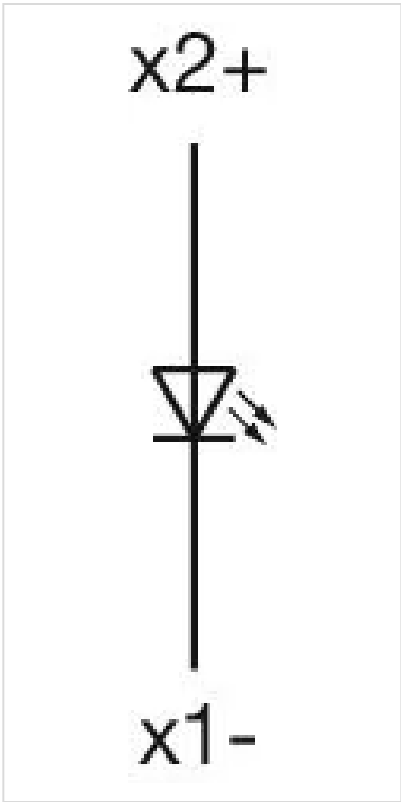
Housing colour: Black

Dimension drawings:

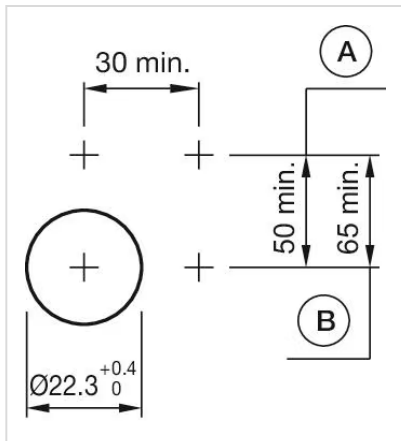


A = Screw terminal

Wiring diagrams:



Mounting cut-outs:



A = Screw terminal
B = Push-in terminal (PIT)

