

Actuator

704.206.6

Distribution by
DigiKey

DigiKey



<https://digikey.eao.com/p/704.206.6>

Your product:



704.206.6 Actuator

FRONT

Front bezel colour:	Black
Front bezel material:	Plastic
Front dimension:	30 mm x 30 mm
Front form:	square

MOUNTING

Design:	raised
----------------	--------

OPERATING-/INDICATION PART

Marking plate optics:	translucent
Marking plate colour:	White
Lens colour:	Blue
Lens optics:	transparent
Lens shape:	flush
Marking plate illumination:	illuminative
Lens material:	Plastic

ELECTRICAL CHARACTERISTICS

Standards:	The switches comply with the "Standards for low-voltage switching devices" DIN EN 60947-1
-------------------	---

MECHANICAL CHARACTERISTIC

Weight:	0.05 kg
----------------	---------

Terminal: Screw terminal

AMBIENT CONDITION

IP Protection: IP65 front side

Operating temperature: - 40 °C ... + 55 °C

Storage temperature: - 40 °C ... + 85 °C

OTHER

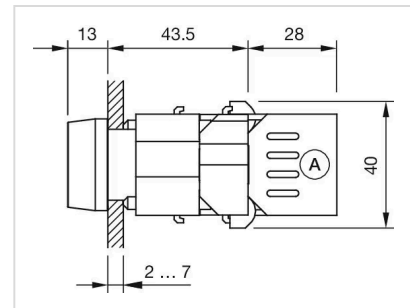
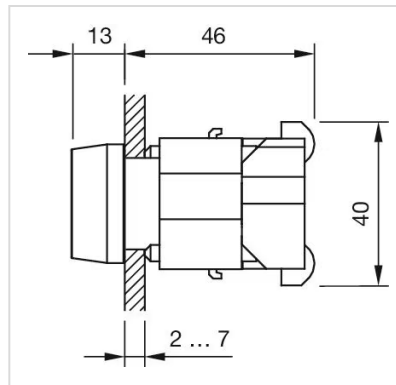
Short Description: Actuator, 30 mm x 30 mm, flush, Blue, Plastic, transparent, square, Black, Plastic, Screw terminal

Hints: Filament lamp or LED

Housing colour: Black

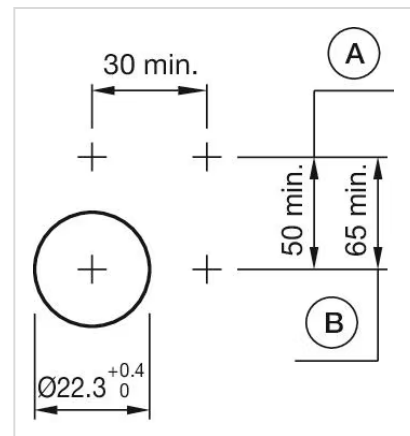
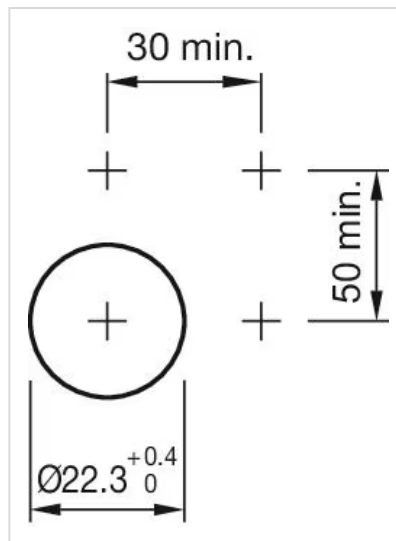
Housing material: Plastic

Dimension drawings:



A = Screw terminal

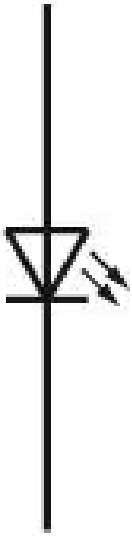
Mounting cut-outs:



A = Screw terminal
B = Push-in terminal (PIT)

Wiring diagrams:

x_2+



x_1-