

# Actuator

704.206.4

Distribution by  
DigiKey

**DigiKey**



<https://digikey.eao.com/p/704.206.4>

Your product:

---



## 704.206.4 Actuator

### FRONT

<b>Front bezel colour:</b>	Black
<b>Front bezel material:</b>	Plastic
<b>Front form:</b>	square
<b>Front dimension:</b>	30 mm x 30 mm

### MOUNTING

<b>Design:</b>	raised
----------------	--------

### OPERATING-/INDICATION PART

<b>Marking plate optics:</b>	translucent
<b>Lens material:</b>	Plastic
<b>Lens optics:</b>	transparent
<b>Lens colour:</b>	Yellow
<b>Marking plate colour:</b>	White
<b>Lens shape:</b>	flush
<b>Marking plate illumination:</b>	illuminative

### ELECTRICAL CHARACTERISTICS

<b>Standards:</b>	The switches comply with the "Standards for low-voltage switching devices" DIN EN 60947-1
-------------------	---

### MECHANICAL CHARACTERISTIC

<b>Weight:</b>	0.05 kg
----------------	---------

**Terminal:** Screw terminal

**AMBIENT CONDITION**

**Storage temperature:** - 40 °C ... + 85 °C

**IP Protection:** IP65 front side

**Operating temperature:** - 40 °C ... + 55 °C

**OTHER**

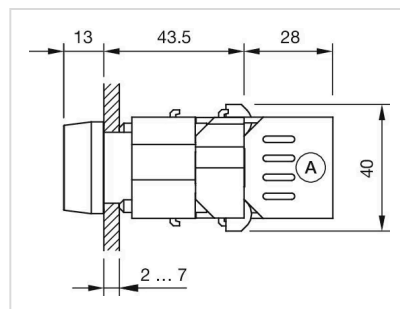
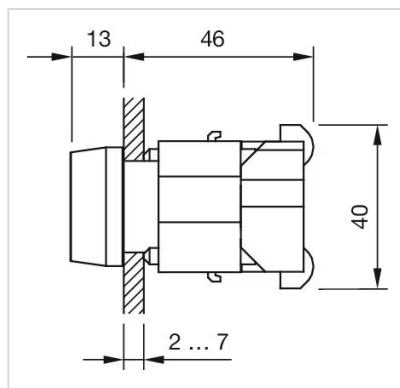
**Short Description:** Actuator, 30 mm x 30 mm, flush, Yellow, Plastic, transparent, square, Black, Plastic, Screw terminal

**Hints:** Filament lamp or LED

**Housing material:** Plastic

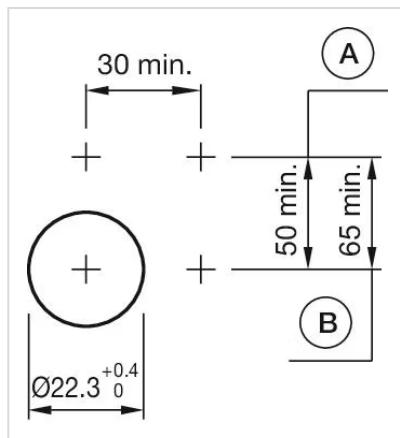
**Housing colour:** Black

**Dimension drawings:**

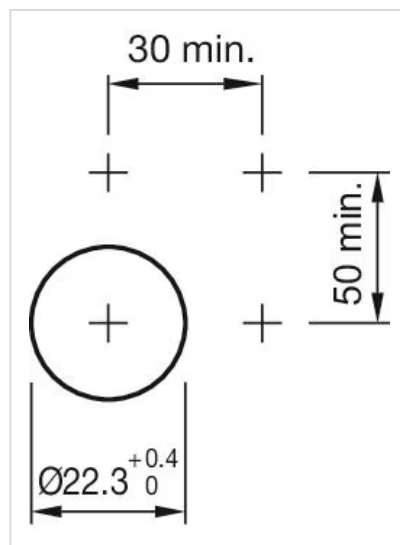


A = Screw terminal

**Mounting cut-outs:**



A = Screw terminal  
B = Push-in terminal (PIT)



Wiring diagrams:

