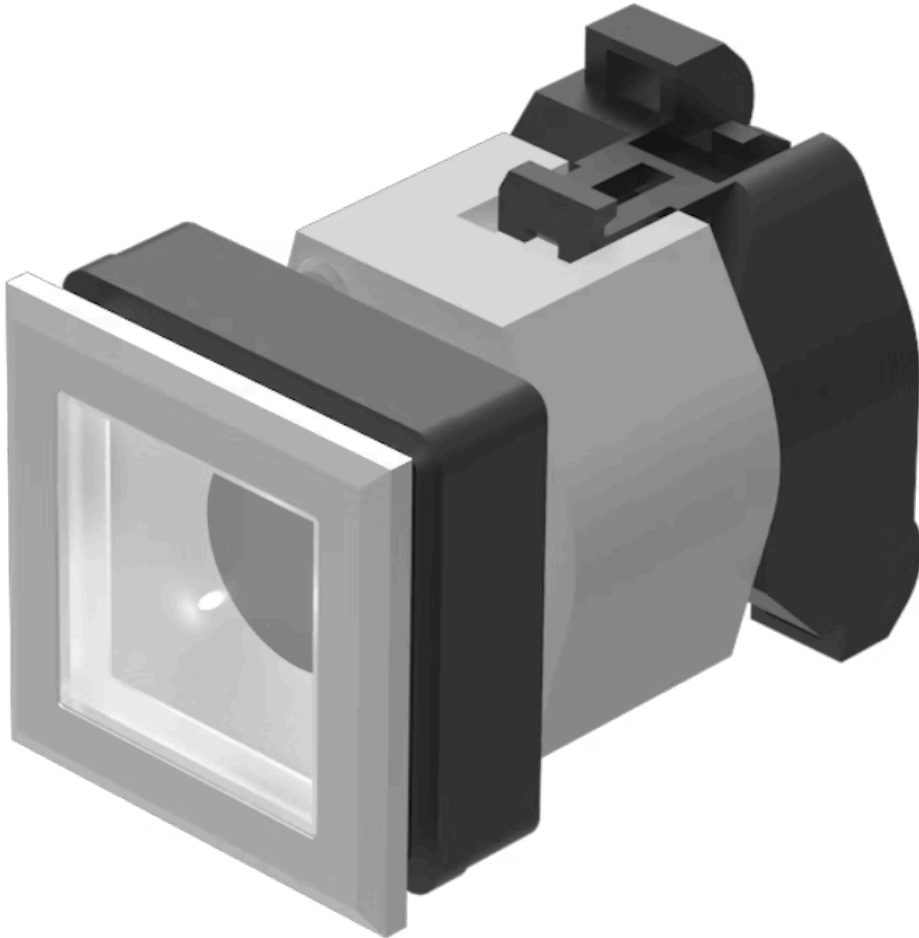


Actuator

704.202.708

Distribution by
DigiKey

DigiKey



<https://digikey.eao.com/p/704.202.708>

Your product:



704.202.708 Actuator

FRONT

Front bezel colour:	Silver
Front form:	square
Front dimension:	35 mm x 35 mm
Front bezel material:	Plastic

MOUNTING

Design:	flush
Mounting cut-out:	30 mm x 30 mm

OPERATING-/INDICATION PART

Lens material:	Plastic
Marking plate illumination:	illuminative
Marking plate colour:	White
Lens colour:	Colourless
Lens optics:	transparent
Lens shape:	flush
Marking plate optics:	translucent

ELECTRICAL CHARACTERISTICS

Standards:	The switches comply with the "Standards for low-voltage switching devices" DIN EN 60947-1
-------------------	---

MECHANICAL CHARACTERISTIC

Weight: 0.061 kg
Terminal: Screw terminal

AMBIENT CONDITION

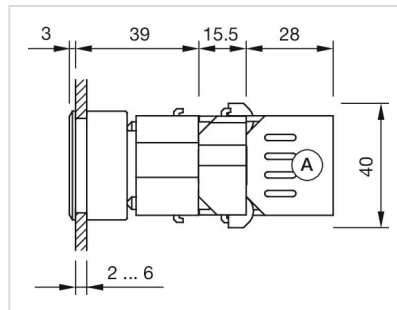
Operating temperature: - 40 °C ... + 55 °C
IP Protection: IP65 front side
Storage temperature: - 40 °C ... + 85 °C

OTHER

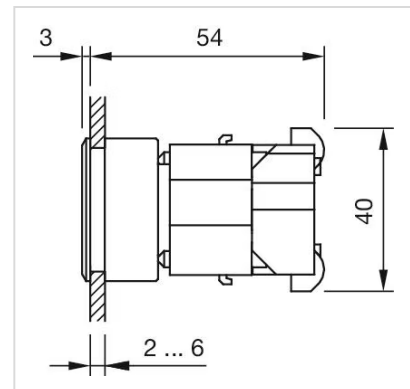
Housing colour: Black
Housing material: Plastic

Short Description: Actuator, 30 mm x 30 mm, 35 mm x 35 mm, flush, Colourless, Plastic, transparent, square, Silver, Plastic, Screw terminal

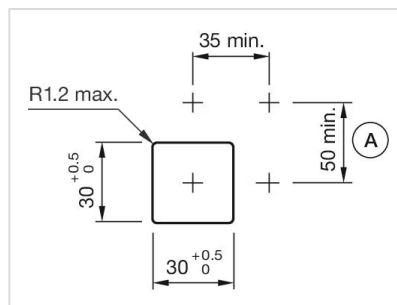
Dimension drawings:



A = Screw terminal



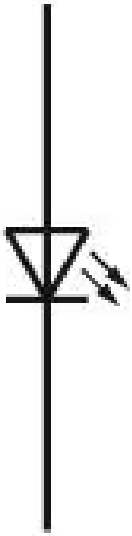
Mounting cut-outs:



A = Screw terminal

Wiring diagrams:

x_2+



x_1-