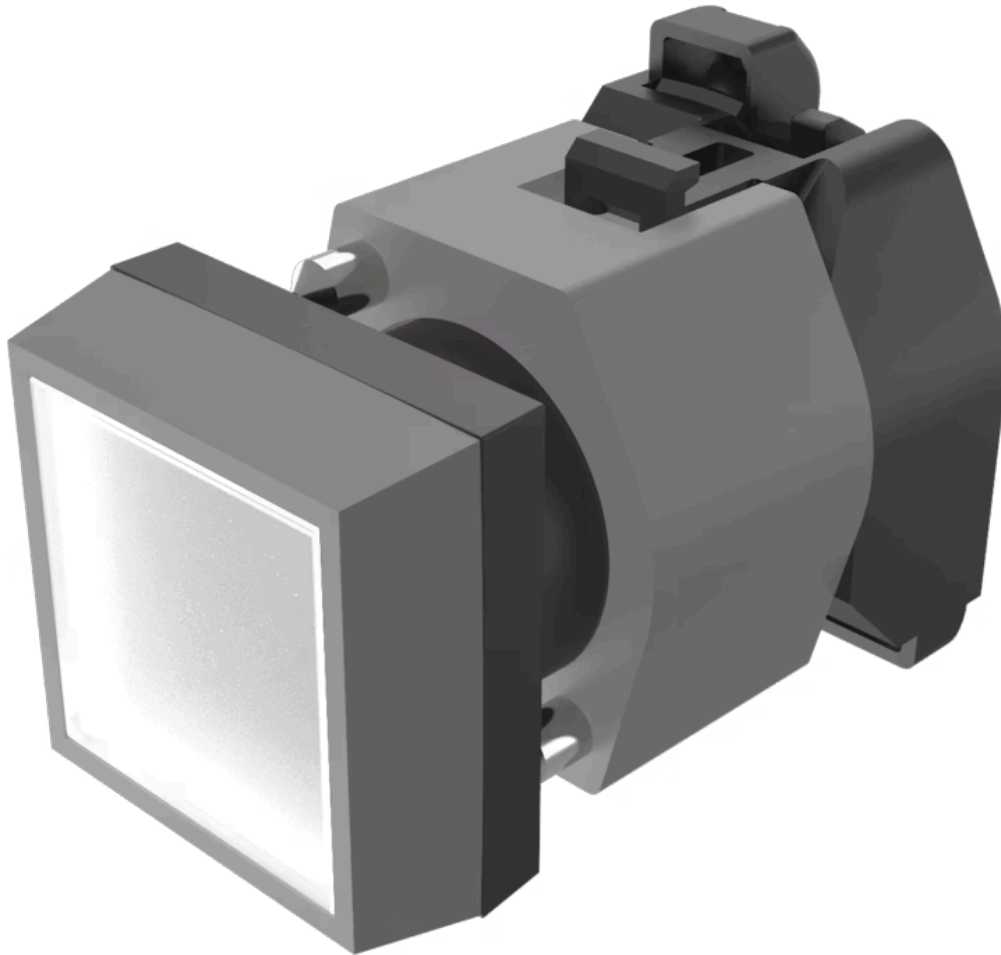


# Actuator

704.202.7

Distribution by  
DigiKey

**DigiKey**



<https://digikey.eao.com/component/704.202.7/e...>

Your product:

---



## 704.202.7 Actuator

### FRONT

<b>Front dimension:</b>	30 mm x 30 mm
<b>Front form:</b>	Square
<b>Front bezel colour:</b>	Grey
<b>Front bezel material:</b>	Plastic

### MOUNTING

<b>Design:</b>	Raised
<b>Mounting type:</b>	Panel mounting

### OPERATING-/INDICATION PART

<b>Lens colour:</b>	Colourless
<b>Lens material:</b>	Plastic
<b>Lens shape:</b>	Flush
<b>Lens optics:</b>	transparent
<b>Marking plate colour:</b>	White
<b>Marking plate optics:</b>	translucent
<b>Marking plate illumination:</b>	illuminative

### ELECTRICAL CHARACTERISTICS

<b>Standards:</b>	The switches comply with the "Standards for low-voltage switching devices" DIN EN 60947-1
-------------------	---

### MECHANICAL CHARACTERISTICS

**Terminal:** Screw terminal

**Weight:** 0.04 kg

### **AMBIENT CONDITION**

**IP Protection:** IP65 front side

**Operating temperature:** – 40 °C ... + 55 °C

**Storage temperature:** – 40 °C ... + 85 °C

### **CERTIFICATE**

**REACH:** REACH compliant

**RoHS:** RoHS compliant

### **OTHER**

**Short Description:** Actuator, 30 mm x 30 mm, Flush, Colourless, Plastic, transparent, Square, Grey, Plastic, Screw terminal

**Housing colour:** Black

**Housing material:** Plastic

**Hints:** Filament lamp or LED

**Wiring diagrams:**



**Mounting cut-outs:**



A = Screw terminal  
 B = Push-in terminal (PIT)

**Dimension drawings:**



A = Screw terminal