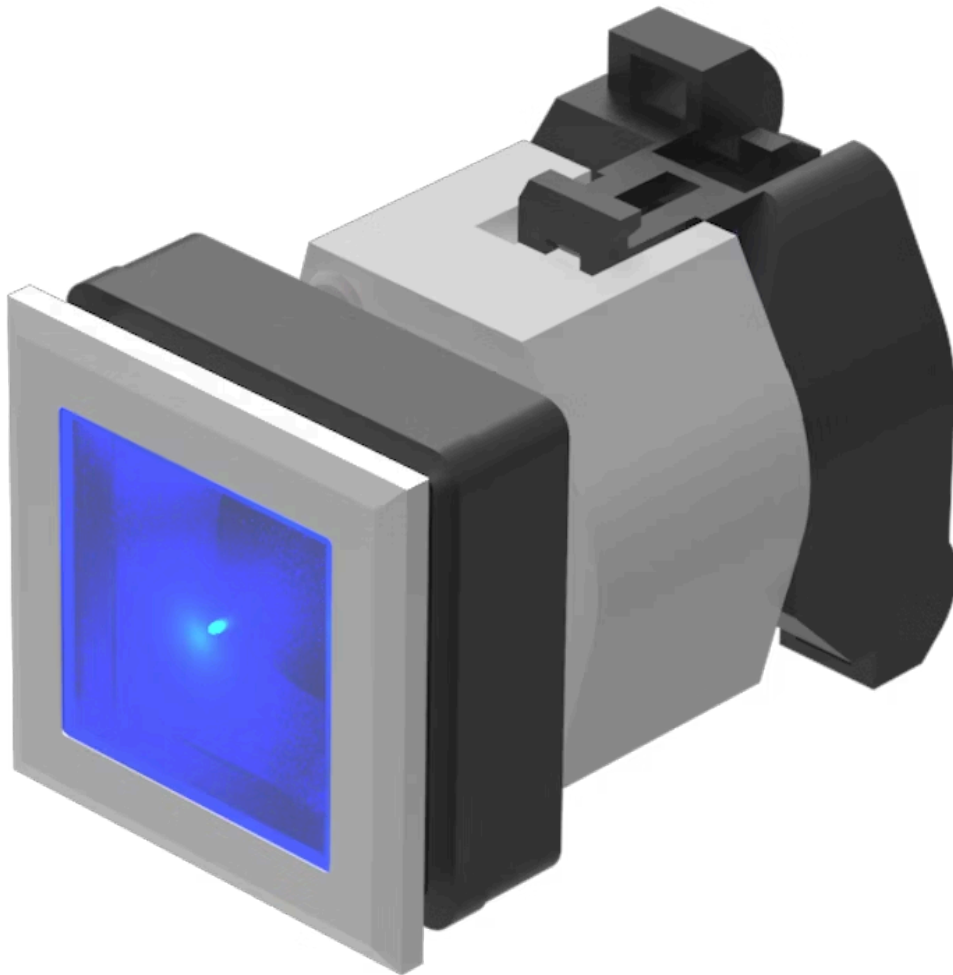


# Actuator

704.202.608

Distribution by  
DigiKey

**DigiKey**



<https://digikey.eao.com/p/704.202.608>

Your product:

---



## 704.202.608 Actuator

### FRONT

<b>Front dimension:</b>	35 mm x 35 mm
<b>Front form:</b>	square
<b>Front bezel colour:</b>	Silver
<b>Front bezel material:</b>	Plastic

### MOUNTING

<b>Design:</b>	flush
<b>Mounting cut-out:</b>	30 mm x 30 mm

### OPERATING-/INDICATION PART

<b>Lens colour:</b>	Blue
<b>Marking plate colour:</b>	White
<b>Lens shape:</b>	flush
<b>Marking plate illumination:</b>	illuminative
<b>Lens material:</b>	Plastic
<b>Lens optics:</b>	transparent
<b>Marking plate optics:</b>	translucent

### ELECTRICAL CHARACTERISTICS

<b>Standards:</b>	The switches comply with the "Standards for low-voltage switching devices" DIN EN 60947-1
-------------------	---

### MECHANICAL CHARACTERISTIC

**Weight:** 0.061 kg  
**Terminal:** Screw terminal

**AMBIENT CONDITION**

**Operating temperature:** - 40 °C ... + 55 °C  
**Storage temperature:** - 40 °C ... + 85 °C  
**IP Protection:** IP65 front side

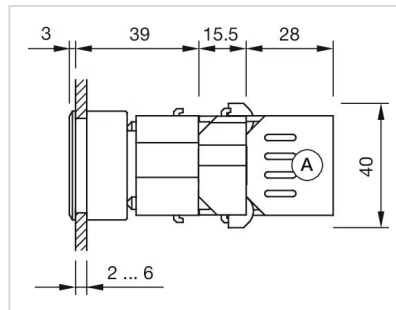
**OTHER**

**Short Description:** Actuator, 30 mm x 30 mm, 35 mm x 35 mm, flush, Blue, Plastic, transparent, square, Silver, Plastic, Screw terminal

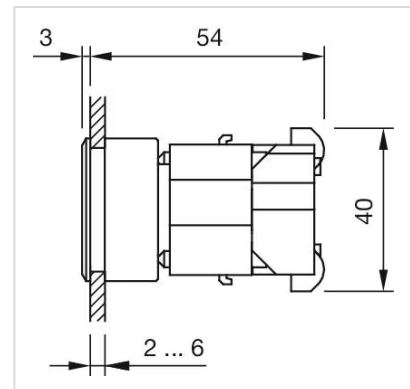
**Housing colour:** Black

**Housing material:** Plastic

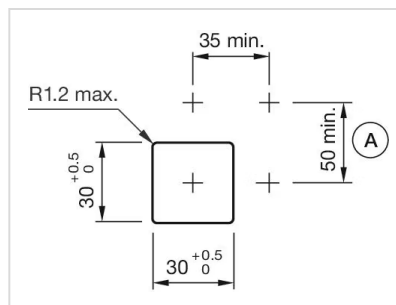
**Dimension drawings:**



A = Screw terminal



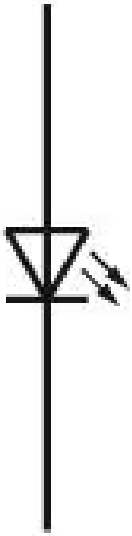
**Mounting cut-outs:**



A = Screw terminal

**Wiring diagrams:**

$x_2+$



$x_1-$