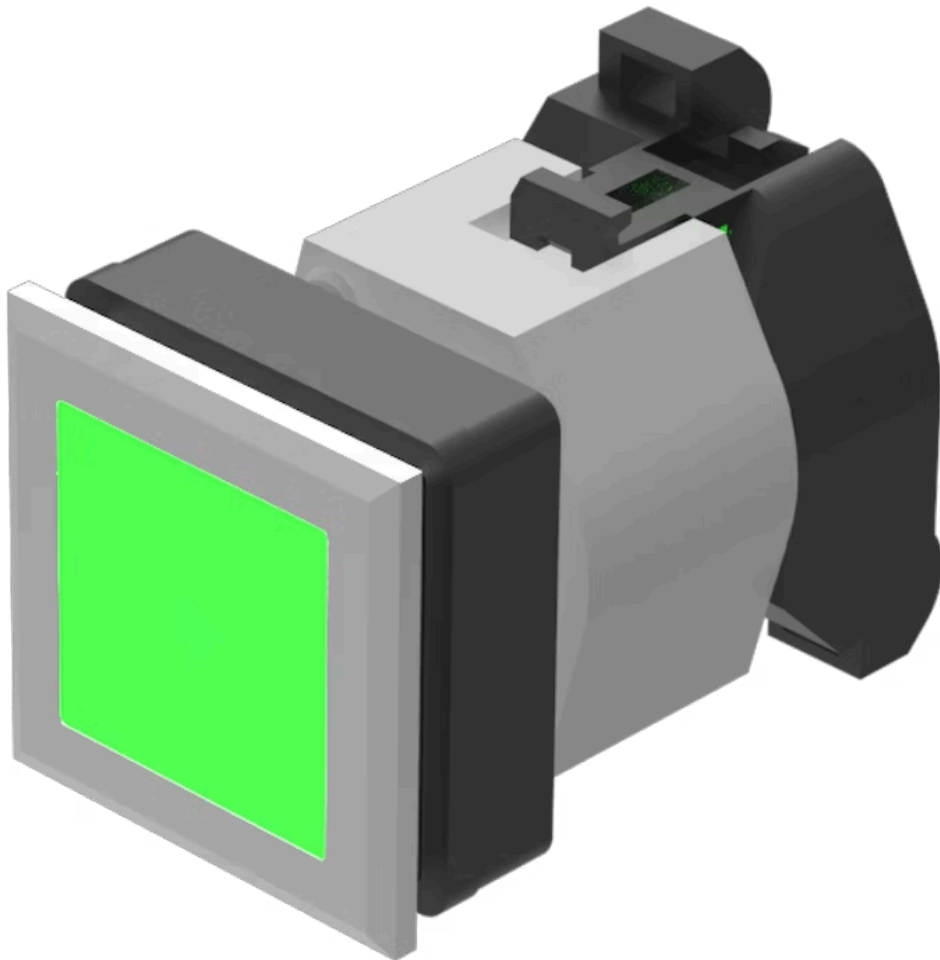


Actuator

704.202.508

Distribution by
DigiKey

DigiKey



<https://digikey.eao.com/p/704.202.508>

Your product:



704.202.508 Actuator

FRONT

Front dimension:	35 mm x 35 mm
Front form:	square
Front bezel colour:	Silver
Front bezel material:	Plastic

MOUNTING

Design:	flush
Mounting cut-out:	30 mm x 30 mm
Mounting type:	Panel mounting

OPERATING-/INDICATION PART

Lens colour:	Green
Lens material:	Plastic
Lens shape:	flush
Lens optics:	transparent
Marking plate colour:	White
Marking plate optics:	translucent
Marking plate illumination:	illuminative

ELECTRICAL CHARACTERISTICS

Standards:	The switches comply with the "Standards for low-voltage switching devices" DIN EN 60947-1
-------------------	---

MECHANICAL CHARACTERISTIC

Terminal: Screw terminal
Weight: 0.061 kg

AMBIENT CONDITION

IP Protection: IP65 front side
Operating temperature: - 40 °C ... + 55 °C
Storage temperature: - 40 °C ... + 85 °C

CERTIFICATE

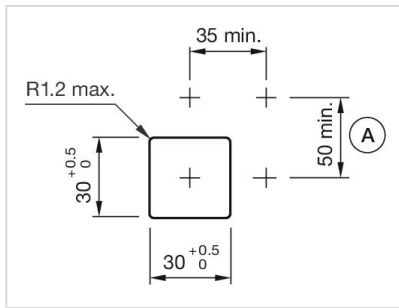
REACH: REACH compliant
RoHS: RoHS compliant

OTHER

Short Description: Actuator, 30 mm x 30 mm, 35 mm x 35 mm, flush, Green, Plastic, transparent, square, Silver, Plastic, Screw terminal
Housing colour: Black
Housing material: Plastic
Wiring diagrams:

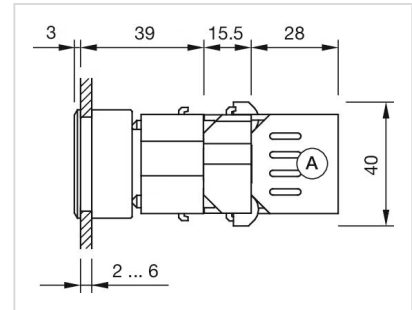
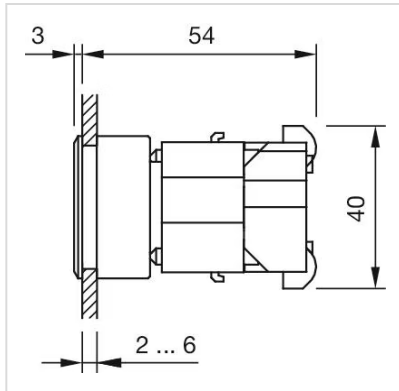


Mounting cut-outs:



A = Screw terminal

Dimension drawings:



A = Screw terminal