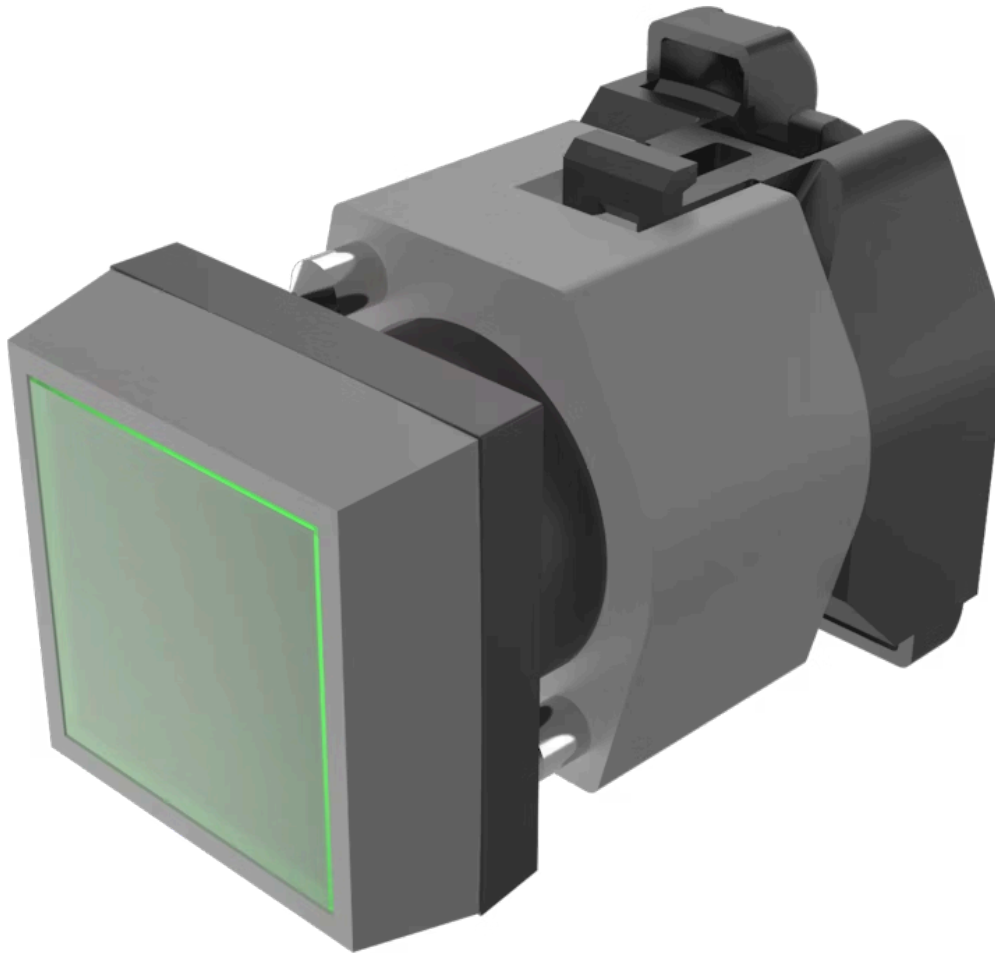


Actuator

704.202.5

Distribution by
DigiKey

DigiKey



<https://digikey.eao.com/p/704.202.5>

Your product:



704.202.5 Actuator

FRONT

Front form:	square
Front bezel colour:	Grey
Front dimension:	30 mm x 30 mm
Front bezel material:	Plastic

MOUNTING

Design:	raised
----------------	--------

OPERATING-/INDICATION PART

Lens optics:	transparent
Marking plate illumination:	illuminative
Marking plate colour:	White
Lens material:	Plastic
Marking plate optics:	translucent
Lens colour:	Green
Lens shape:	flush

ELECTRICAL CHARACTERISTICS

Standards:	The switches comply with the "Standards for low-voltage switching devices" DIN EN 60947-1
-------------------	---

MECHANICAL CHARACTERISTIC

Terminal:	Screw terminal
------------------	----------------

Weight: 0.05 kg

AMBIENT CONDITION

IP Protection: IP65 front side

Storage temperature: - 40 °C ... + 85 °C

Operating temperature: - 40 °C ... + 55 °C

OTHER

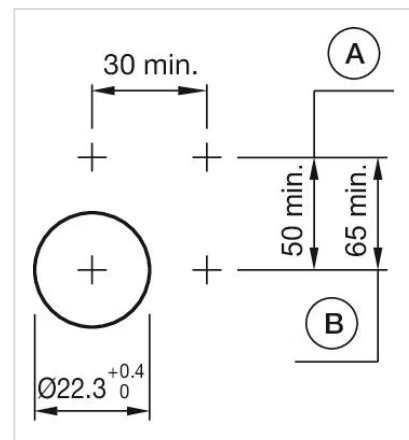
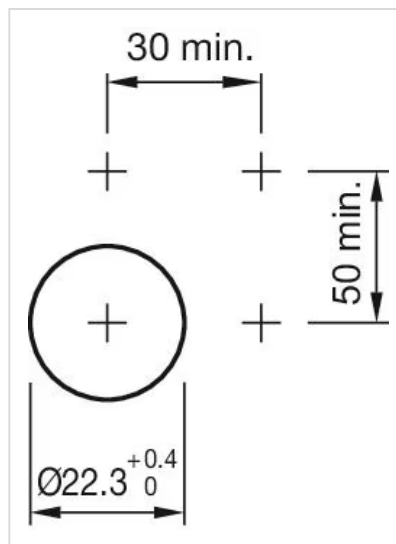
Housing colour: Black

Housing material: Plastic

Short Description: Actuator, 30 mm x 30 mm, flush, Green, Plastic, transparent, square, Grey, Plastic, Screw terminal

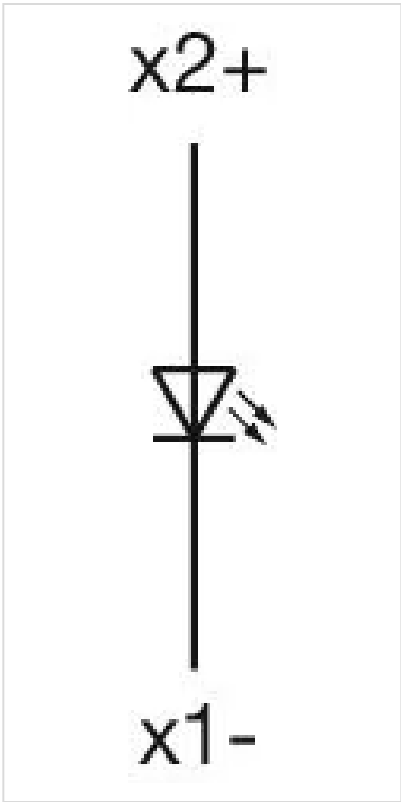
Hints: Filament lamp or LED

Mounting cut-outs:

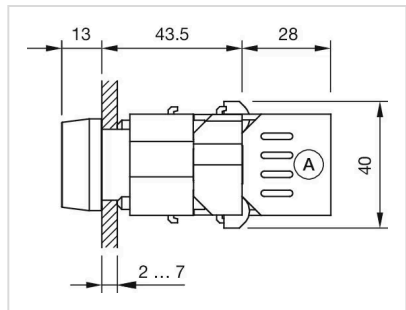
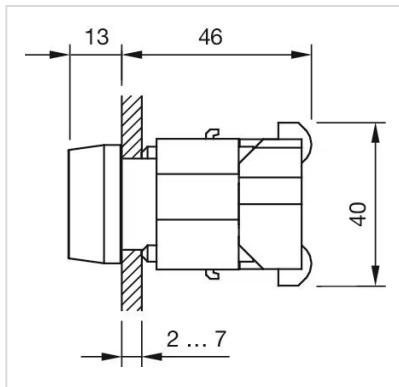


A = Screw terminal
B = Push-in terminal (PIT)

Wiring diagrams:



Dimension drawings:



A = Screw terminal