

Actuator

704.202.4

Distribution by
DigiKey

DigiKey



<https://digikey.eao.com/p/704.202.4>

Your product:



704.202.4 Actuator

FRONT

Front bezel colour:	Grey
Front bezel material:	Plastic
Front dimension:	30 mm x 30 mm
Front form:	square

MOUNTING

Design:	raised
----------------	--------

OPERATING-/INDICATION PART

Lens optics:	transparent
Lens colour:	Yellow
Marking plate colour:	White
Marking plate illumination:	illuminative
Lens material:	Plastic
Marking plate optics:	translucent
Lens shape:	flush

ELECTRICAL CHARACTERISTICS

Standards:	The switches comply with the "Standards for low-voltage switching devices" DIN EN 60947-1
-------------------	---

MECHANICAL CHARACTERISTIC

Terminal:	Screw terminal
------------------	----------------

Weight: 0.05 kg

AMBIENT CONDITION

Operating temperature: - 40 °C ... + 55 °C

IP Protection: IP65 front side

Storage temperature: - 40 °C ... + 85 °C

OTHER

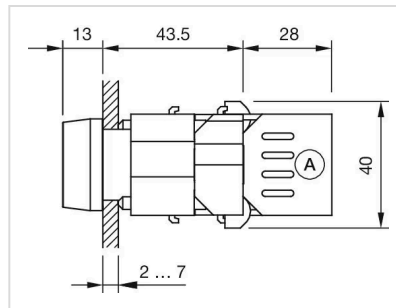
Housing material: Plastic

Short Description: Actuator, 30 mm x 30 mm, flush, Yellow, Plastic, transparent, square, Grey, Plastic, Screw terminal

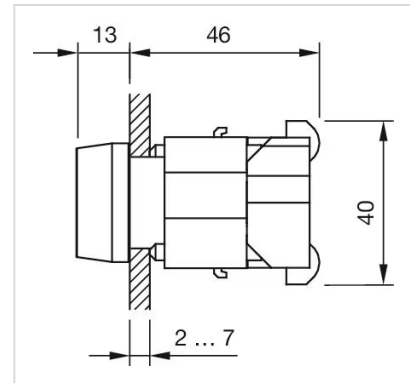
Housing colour: Black

Hints: Filament lamp or LED

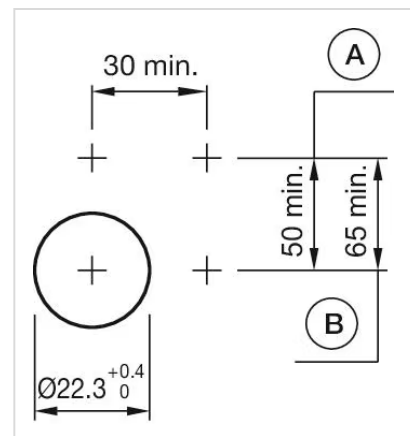
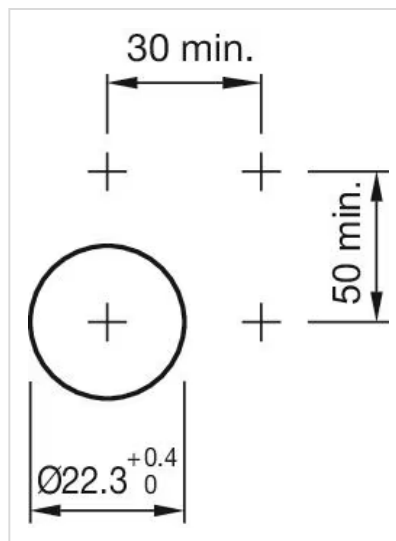
Dimension drawings:



A = Screw terminal



Mounting cut-outs:



A = Screw terminal
B = Push-in terminal (PIT)

Wiring diagrams:

