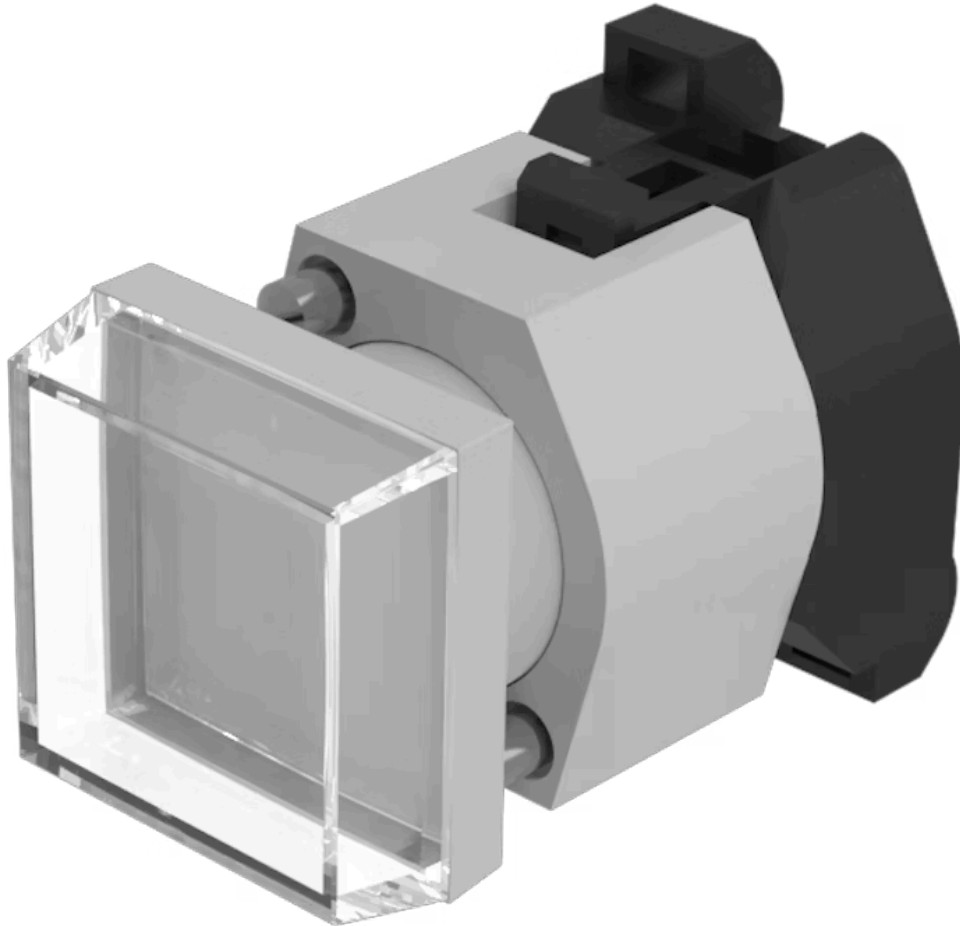


Actuator

704.200.7

Distribution by
DigiKey

DigiKey



<https://digikey.eao.com/p/704.200.7>

Your product:



704.200.7 Actuator

FRONT

Front form:	square
Front bezel material:	Plastic
Front dimension:	30 mm x 30 mm
Front bezel colour:	Grey

MOUNTING

Design:	raised
----------------	--------

OPERATING-/INDICATION PART

Marking cap colour:	White
Lens cap material:	Plastic
Marking cap optics:	translucent
Lens cap optical effect:	transparent
Lens cap colour:	Colourless

ELECTRICAL CHARACTERISTICS

Standards:	The switches comply with the "Standards for low-voltage switching devices" DIN EN 60947-1
-------------------	---

MECHANICAL CHARACTERISTIC

Weight:	0.05 kg
Terminal:	Screw terminal

AMBIENT CONDITION

Operating temperature:	- 40 °C ... + 55 °C
IP Protection:	IP65 front side
Storage temperature:	- 40 °C ... + 85 °C

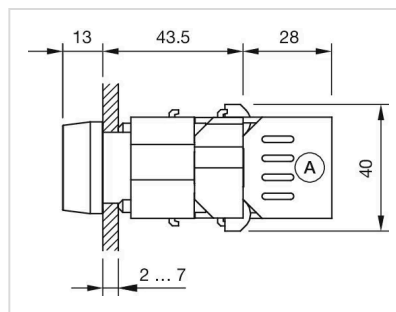
OTHER

Housing colour: Grey

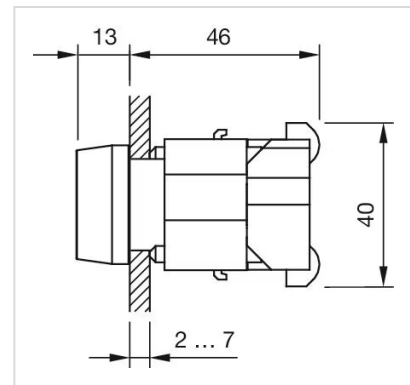
Housing material: Plastic

Short Description: Actuator, 30 mm x 30 mm, square, Grey, Plastic, Screw terminal

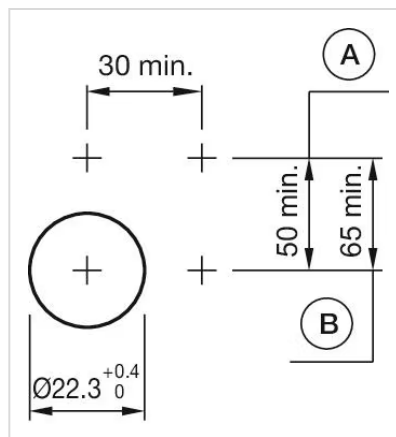
Dimension drawings:



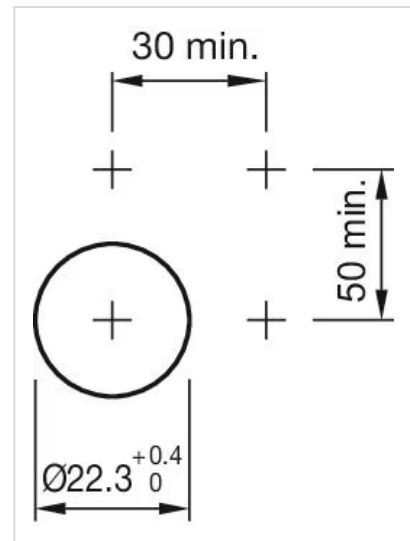
A = Screw terminal



Mounting cut-outs:

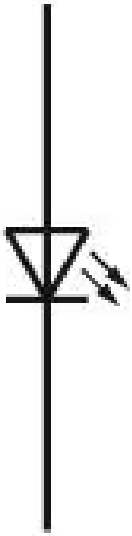


A = Screw terminal
B = Push-in terminal (PIT)



Wiring diagrams:

x_2+



x_1-