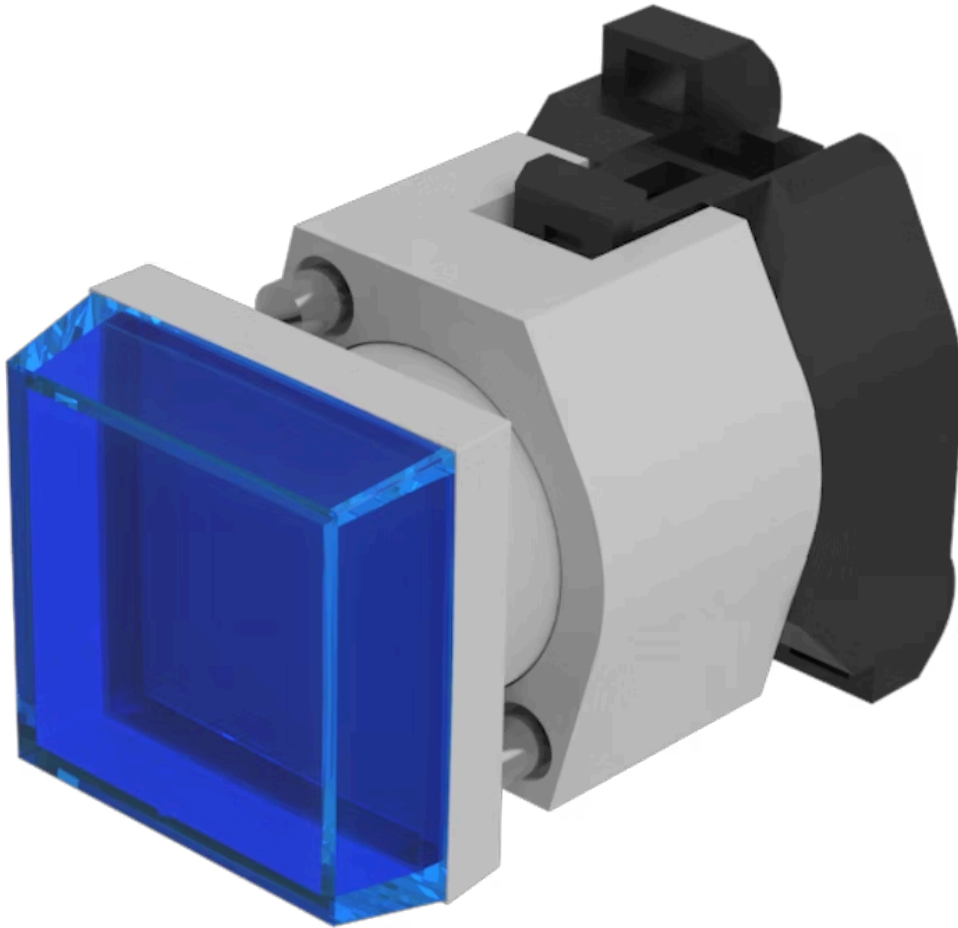


# Actuator

704.200.6

Distribution by  
DigiKey

**DigiKey**



<https://digikey.eao.com/p/704.200.6>

Your product:

---



## 704.200.6 Actuator

### FRONT

<b>Front dimension:</b>	30 mm x 30 mm
<b>Front form:</b>	square
<b>Front bezel colour:</b>	Grey
<b>Front bezel material:</b>	Plastic

### MOUNTING

<b>Design:</b>	raised
----------------	--------

### OPERATING-/INDICATION PART

<b>Lens cap optical effect:</b>	transparent
<b>Lens cap colour:</b>	Blue
<b>Marking cap optics:</b>	translucent
<b>Lens cap material:</b>	Plastic
<b>Marking cap colour:</b>	White

### ELECTRICAL CHARACTERISTICS

<b>Standards:</b>	The switches comply with the "Standards for low-voltage switching devices" DIN EN 60947-1
-------------------	---

### MECHANICAL CHARACTERISTIC

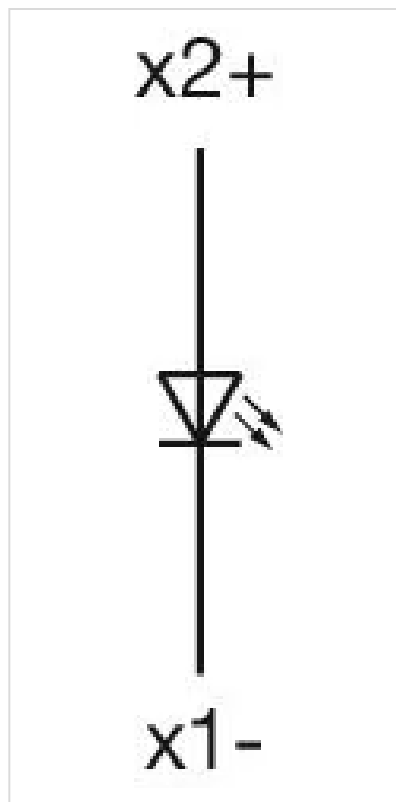
<b>Terminal:</b>	Screw terminal
<b>Weight:</b>	0.05 kg

## AMBIENT CONDITION

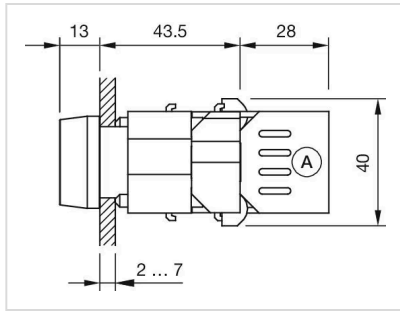
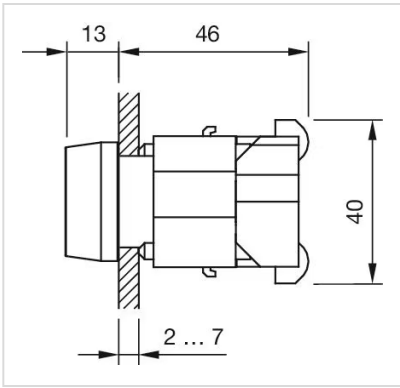
<b>IP Protection:</b>	IP65 front side
<b>Storage temperature:</b>	- 40 °C ... + 85 °C
<b>Operating temperature:</b>	- 40 °C ... + 55 °C

## OTHER

<b>Housing material:</b>	Plastic
<b>Short Description:</b>	Actuator, 30 mm x 30 mm, square, Grey, Plastic, Screw terminal
<b>Housing colour:</b>	Grey
<b>Wiring diagrams:</b>	

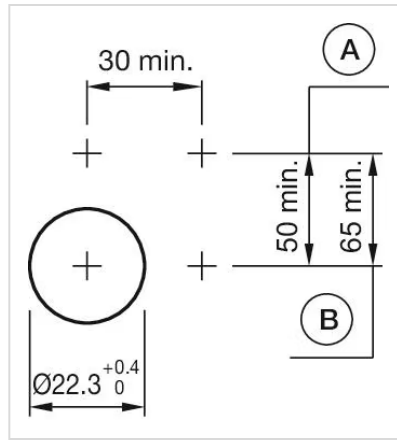


**Dimension drawings:**



A = Screw terminal

**Mounting cut-outs:**



A = Screw terminal  
B = Push-in terminal (PIT)

